



**Forestry Product  
Available Options**



**Contents**

AB Super B Train and King B Train..... 5

BC B Train and Super B Train..... 13

R4000 Quad Logger..... 23

R4000 Quad Truck Rigout..... 31

SW53 Shortwood Logger..... 41

SWSF Shortwood Logger..... 49

This page left intentionally blank.



**AB Super B Train and King B Train**

## Aluminum Wheels

10-hole Alcoa aluminum unimount wheels, LvL ONE clean buff finish.



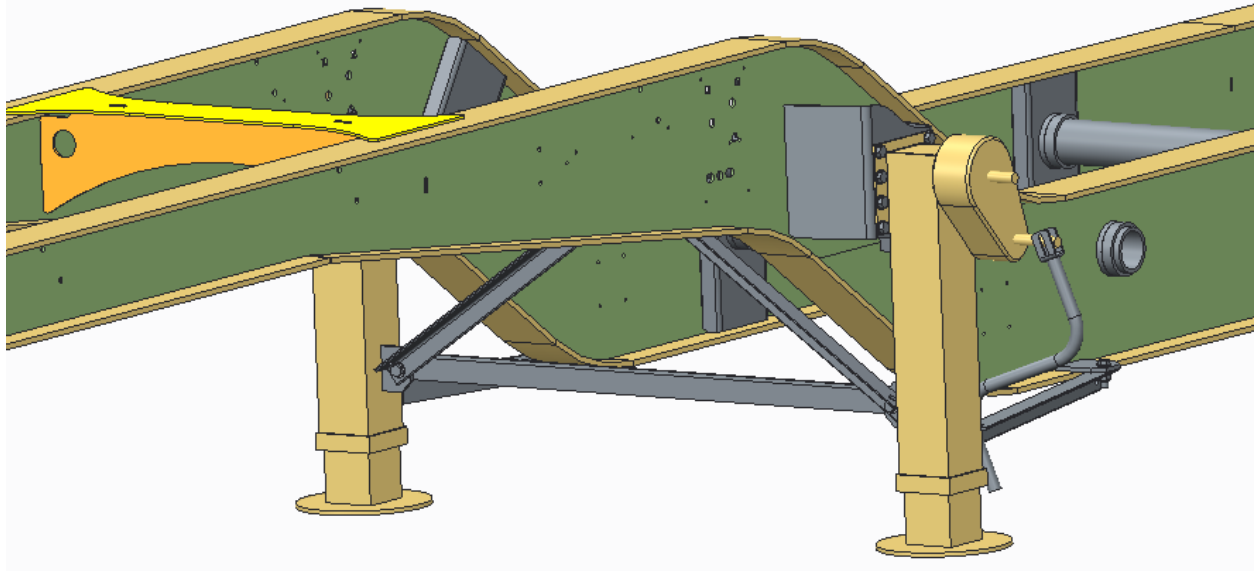
## Steel Wheels

10-hole steel unimount wheels, painted white.



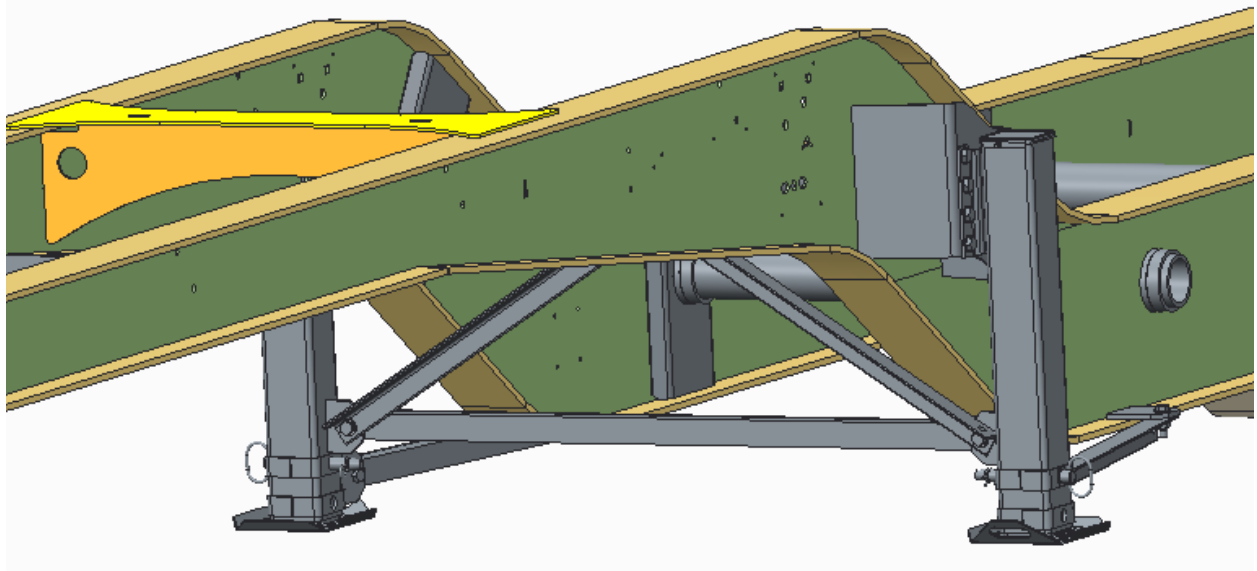
# Crank Down Landing Legs

Holland Mark V landing gear, crank down, with 2 speeds.



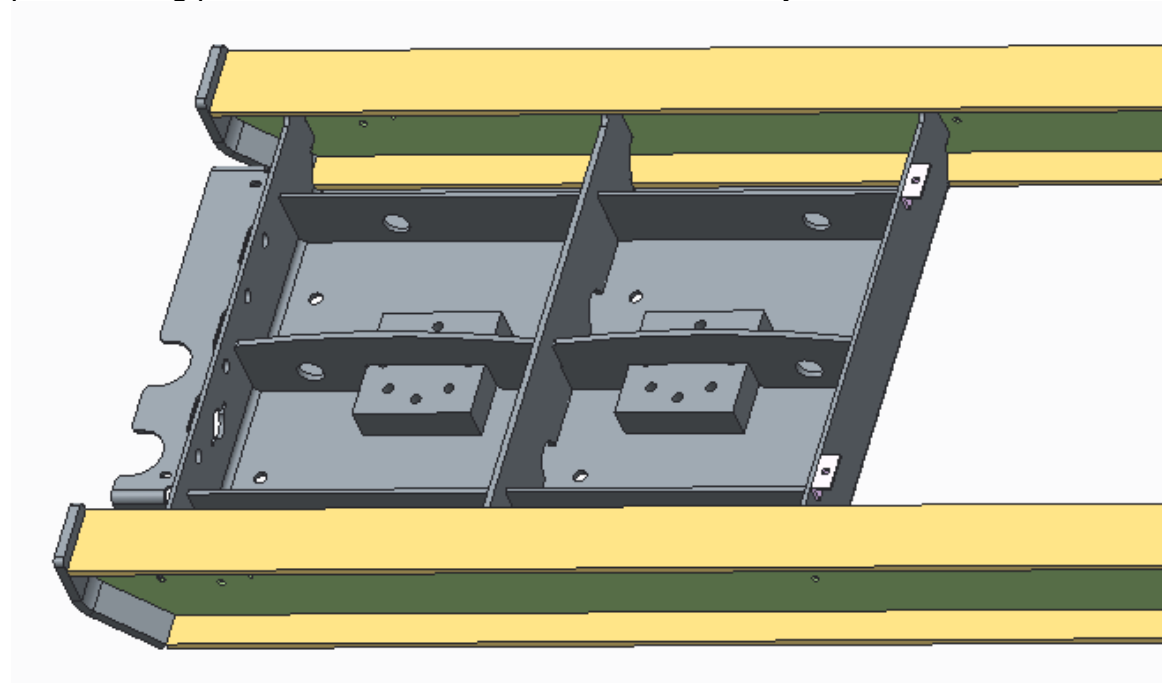
# Drop Down Landing Legs

Holland JS150 landing gear, drop leg, single pin.



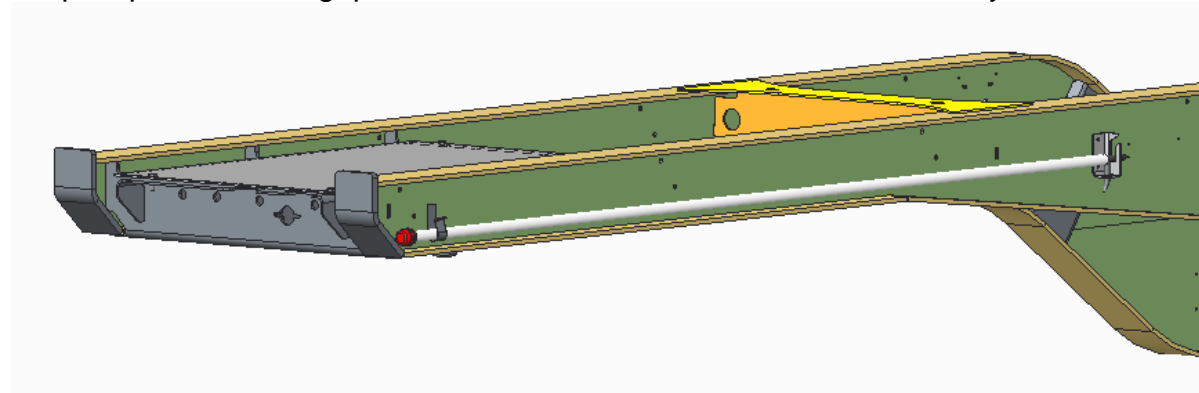
# 165191

Additional bolt-in king pin setting 20" from front of trailer; customer to specify which position king pin is to be installed in. On lead trailer only.



# 166028

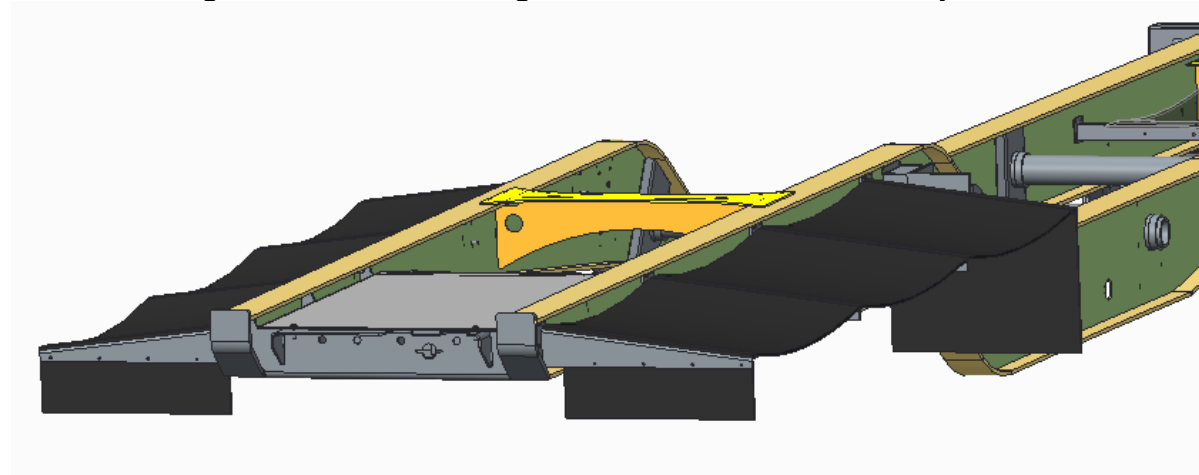
10' pike pole w/ knob grip mounted on side of web. On lead trailer only.





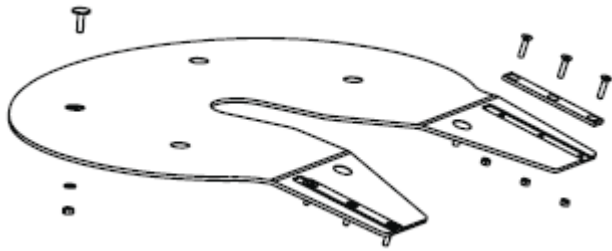
# 166159

Rubber belting fenders installed on gooseneck. On lead trailer only.



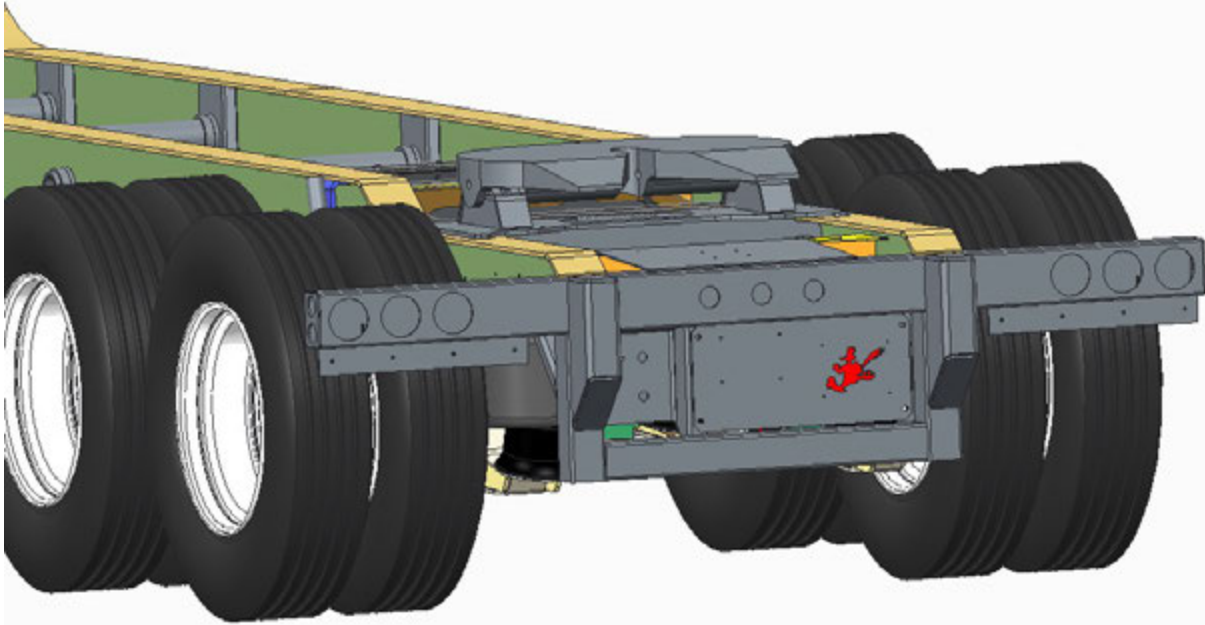
# 69000

FW35 UHMW fifth wheel slick plate installed on fifth wheel.



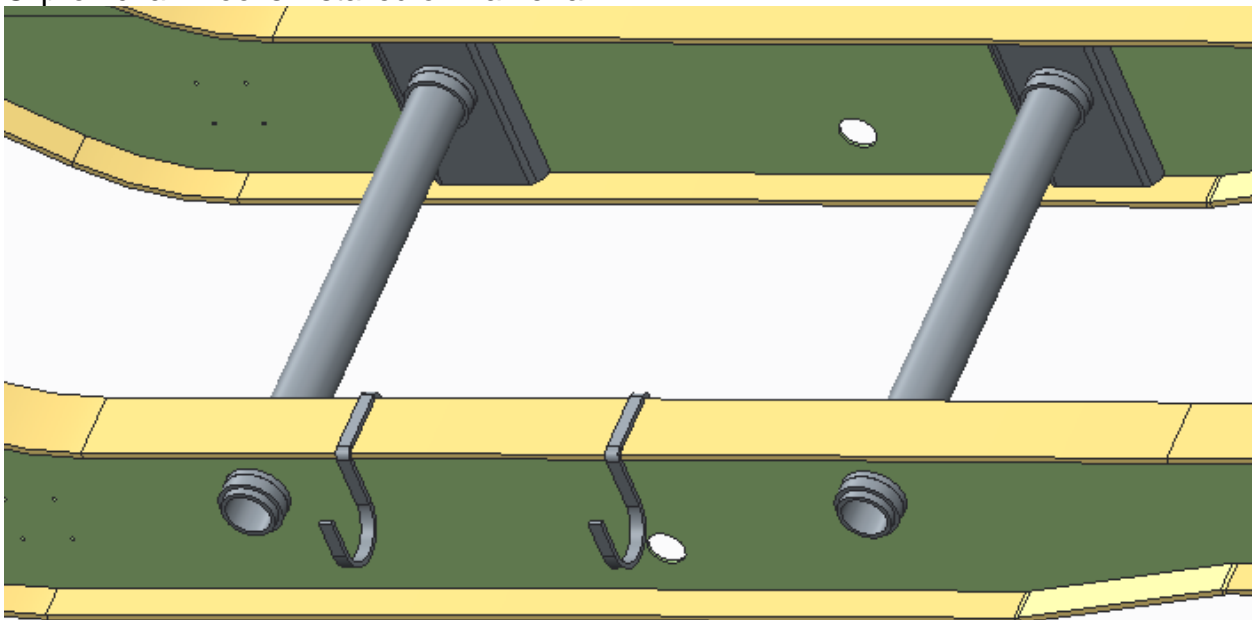
# 97367

Weld-on extended push bumper installed at rear of trailer.



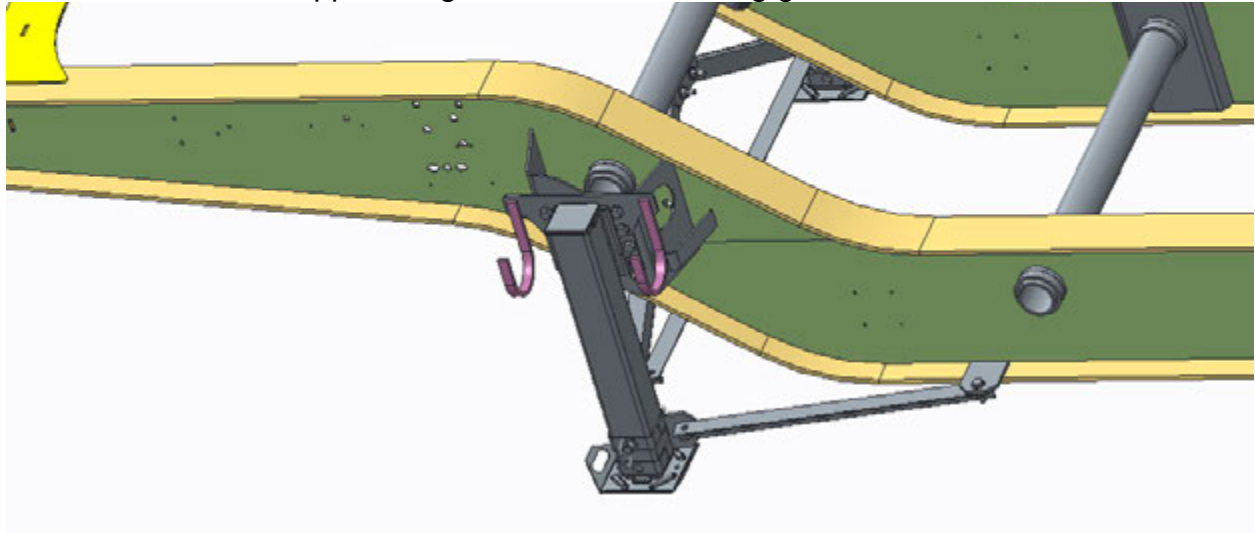
# 164686

Clip-on chain hooks installed on frame rail.



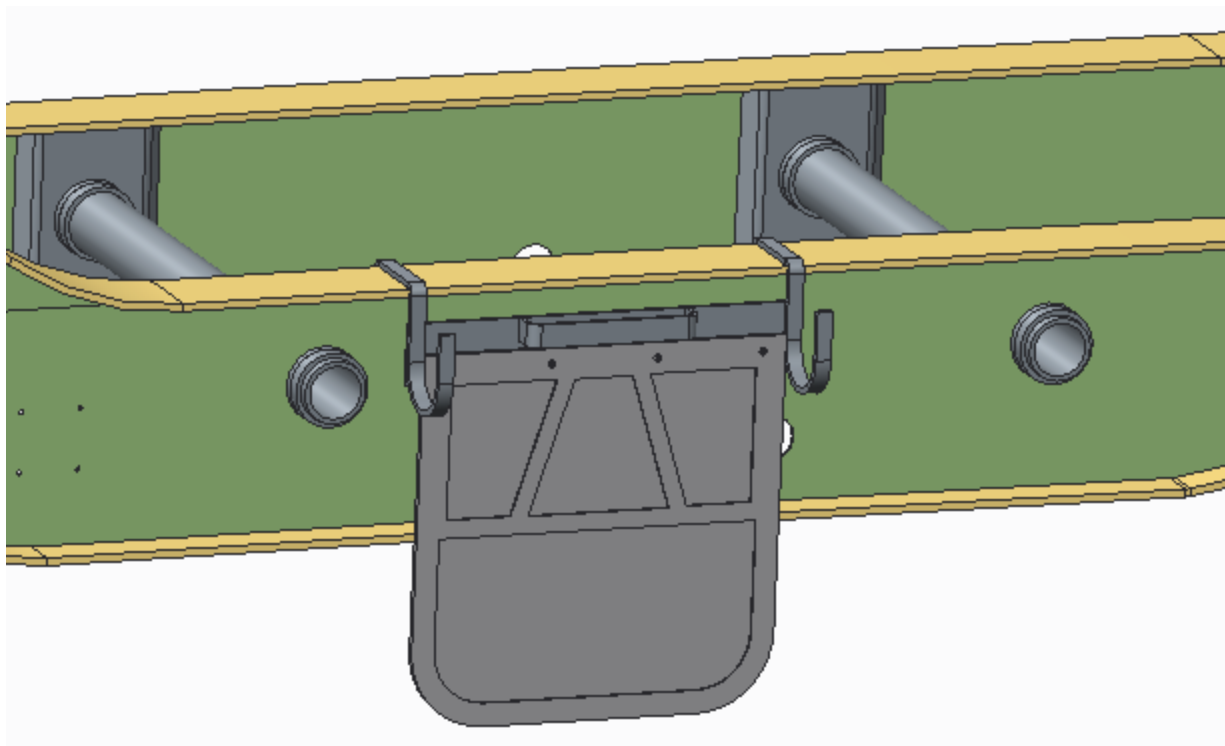
# 165132

Bolt-on cinch and wrapper hanger installed on landing gear.



# 114384

Clip-on cinch and wrapper hanger installed on frame rail.



This page left intentionally blank.



**BC B Train and Super B Train**

## Aluminum Wheels

10-hole Alcoa aluminum unimount wheels, LvL ONE clean buff finish.



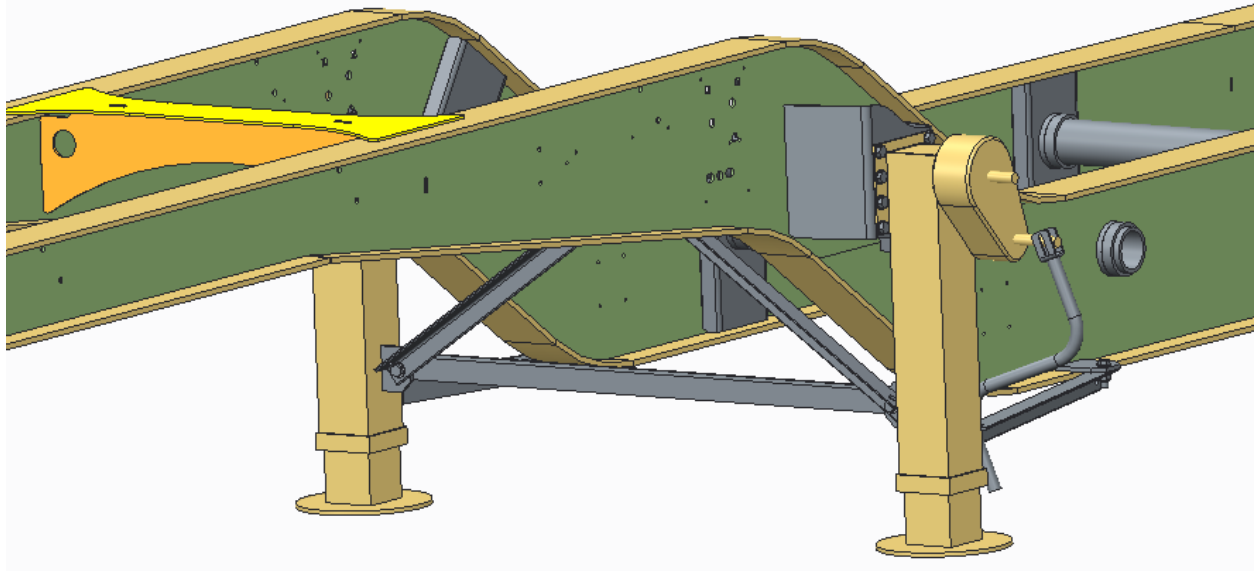
## Steel Wheels

10-hole steel unimount wheels, painted white.



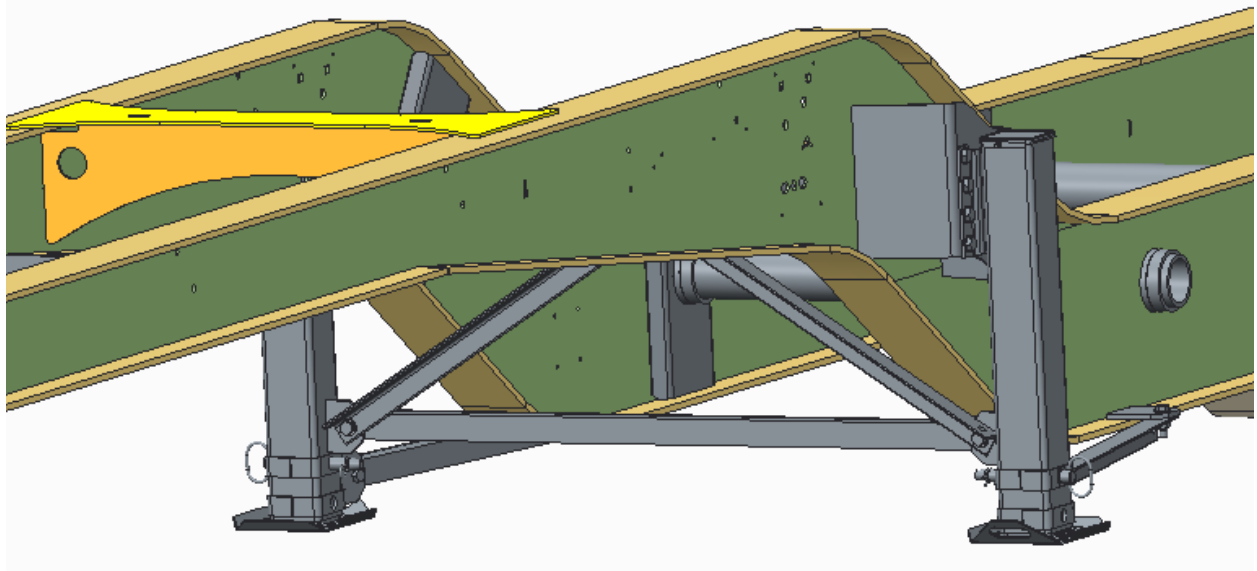
# Crank Down Landing Legs

Holland Mark V landing gear, crank down, with 2 speeds.



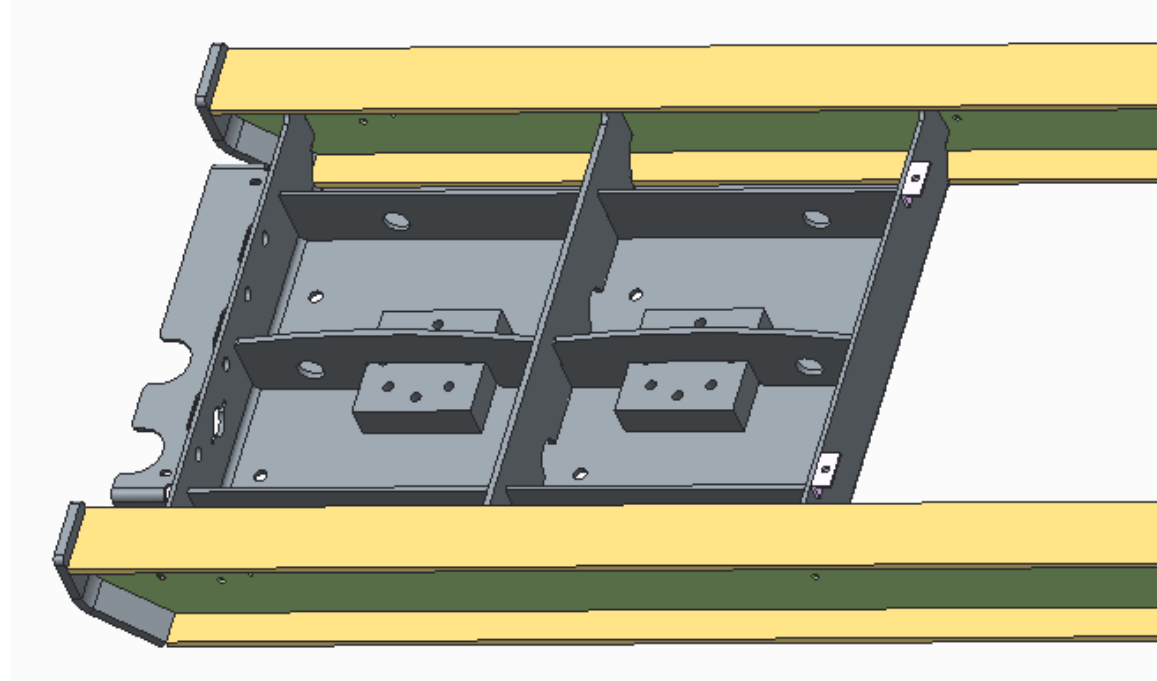
# Drop Down Landing Legs

Holland JS150 landing gear, drop leg, single pin.



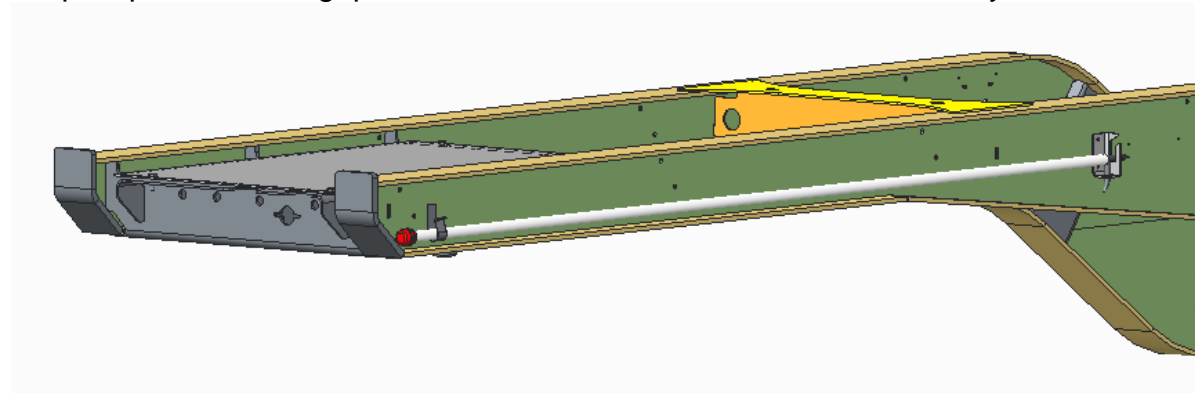
# 165191

Additional bolt-in king pin setting 20" from front of trailer; customer to specify which position king pin is to be installed in. On lead trailer only.



# 166028

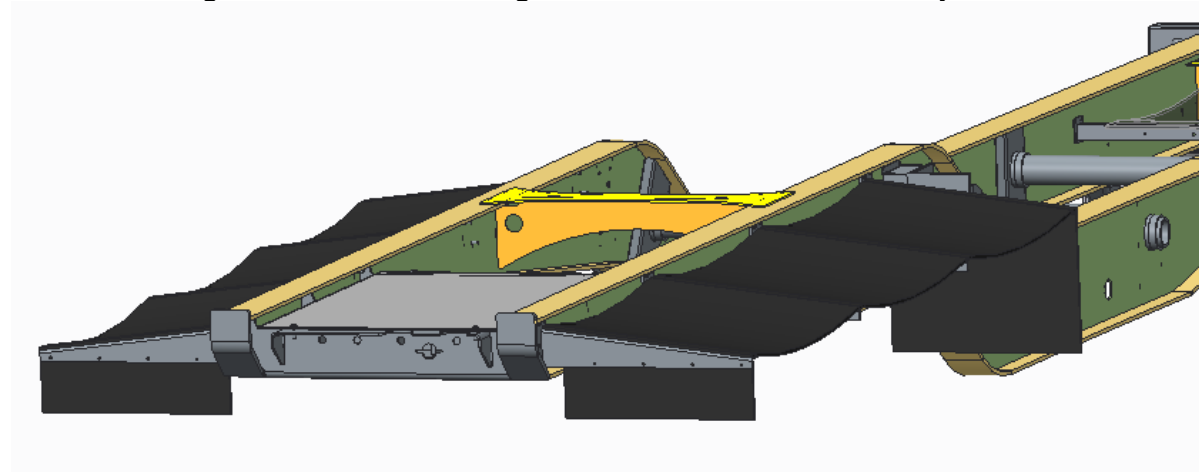
10' pike pole w/ knob grip mounted on side of web. On lead trailer only.





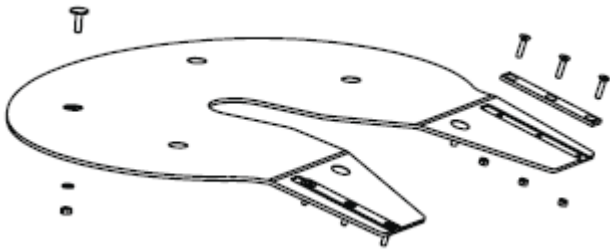
# 166159

Rubber belting fenders installed on gooseneck. On lead trailer only.



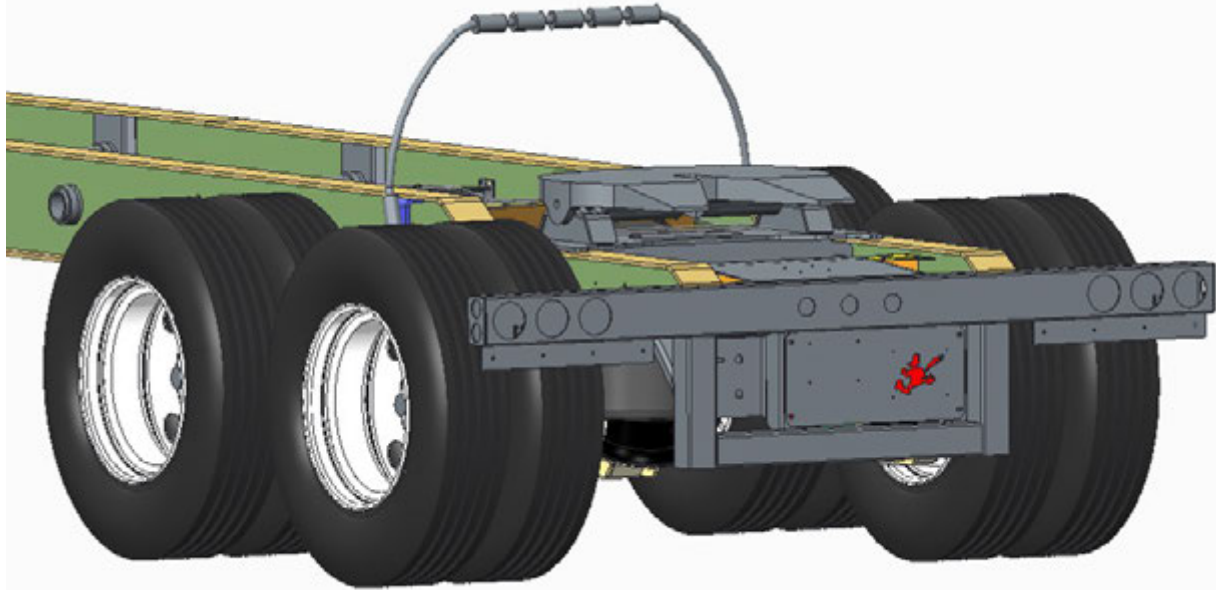
# 69000

FW35 UHMW fifth wheel slick plate installed on fifth wheel.



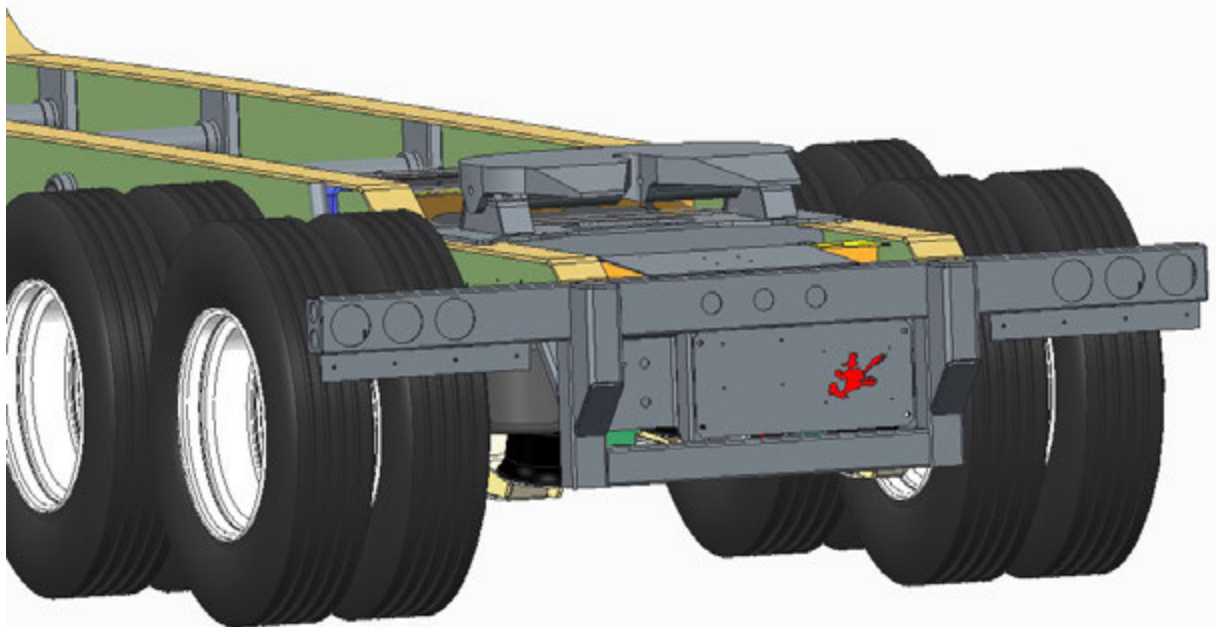
# 104999

Lift molly installed at rear of trailer ahead of fifth wheel. On lead trailer only.



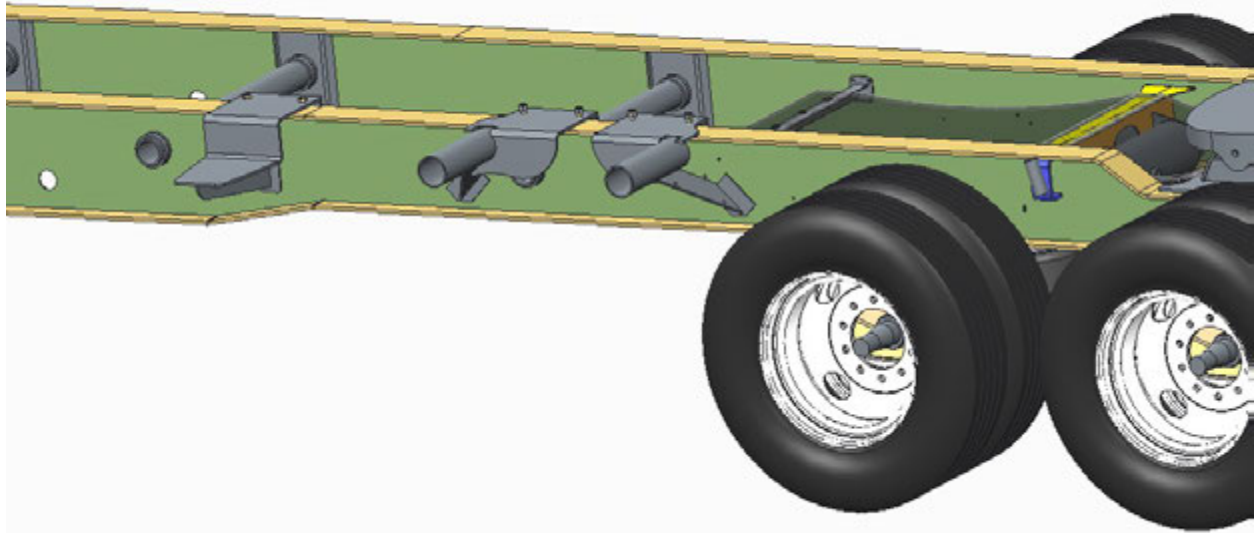
# 97367

Weld-on extended push bumper installed at rear of trailer.



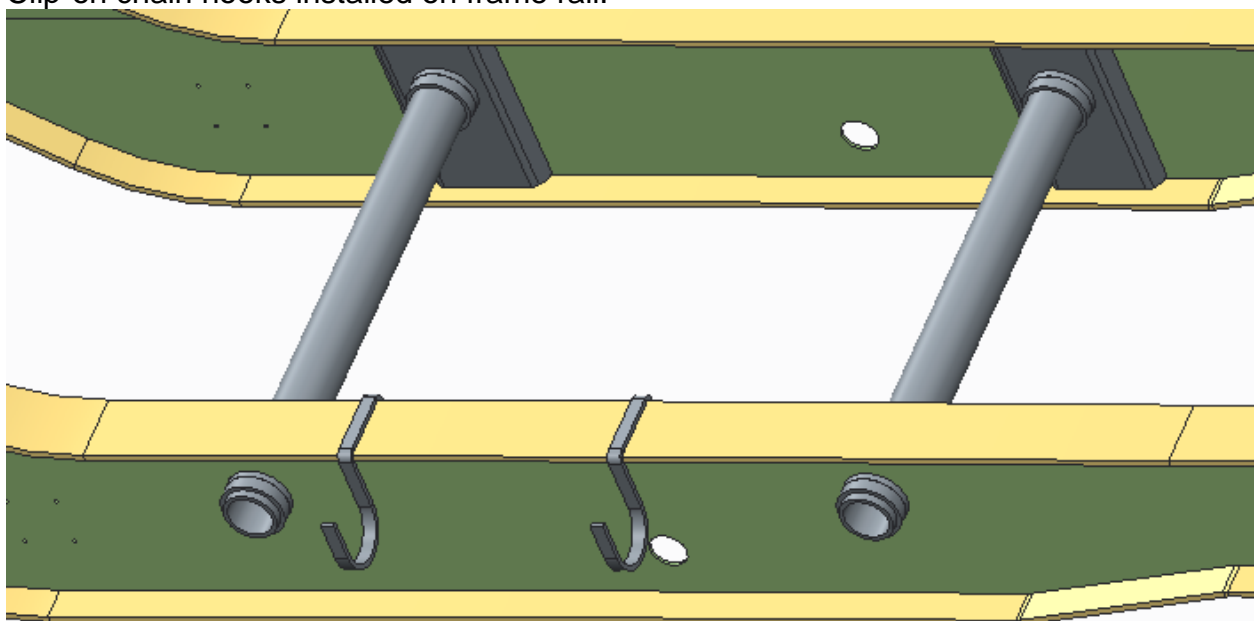
# 165131

Tire rides and stacking kit needed to stack rear on top of lead.



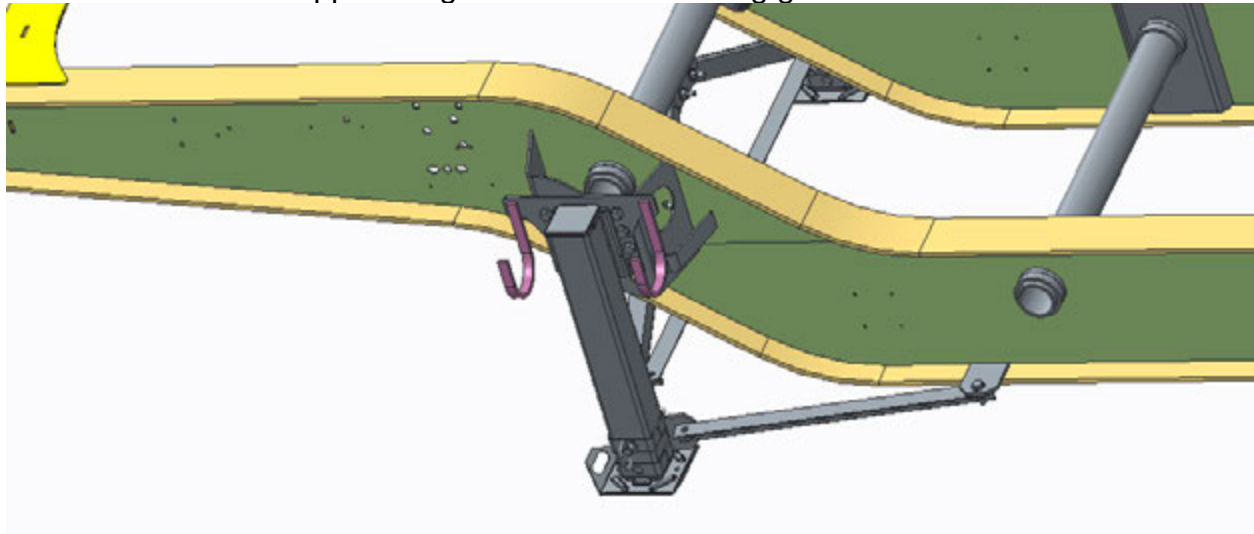
# 164686

Clip-on chain hooks installed on frame rail.



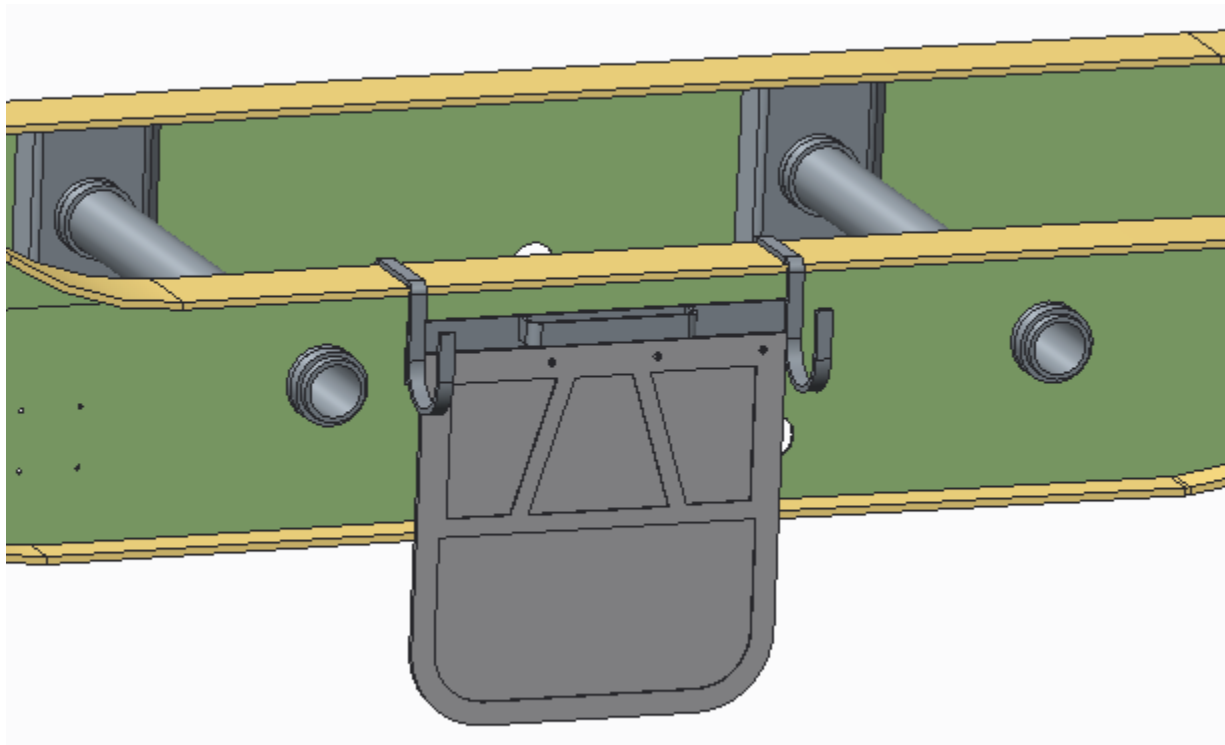
# 165132

Bolt-on cinch and wrapper hanger installed on landing gear.



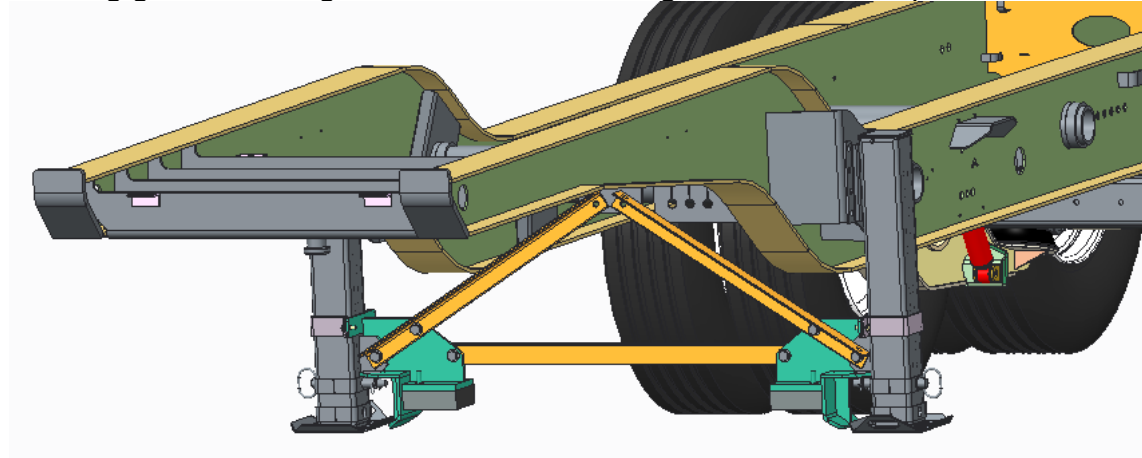
# 114384

Clip-on cinch and wrapper hanger installed on frame rail.



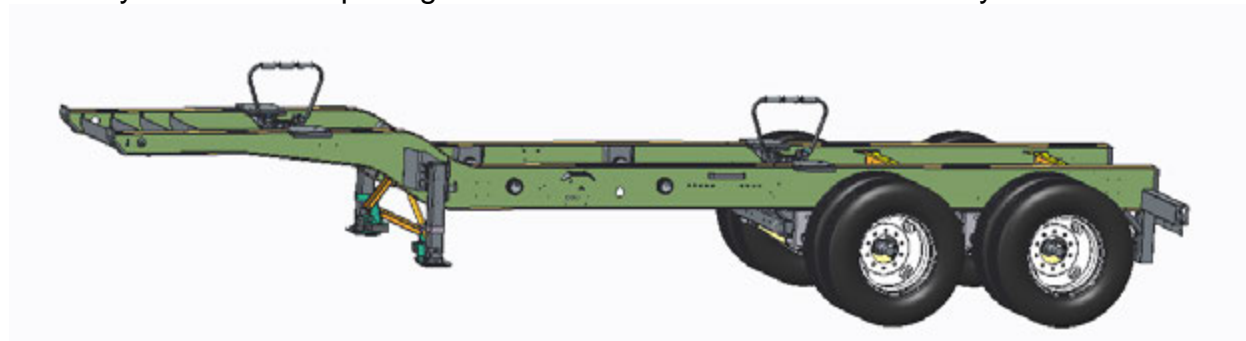
# 167901

Landing gear mounting frame rides for stacking rear trailer on top of lead.



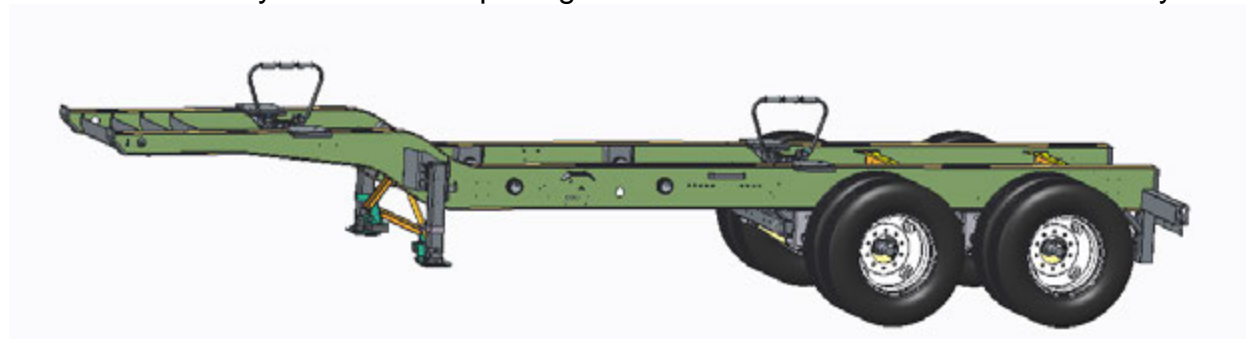
# 94162

Lift molly installed on top flange at center of trailer. On rear trailer only.



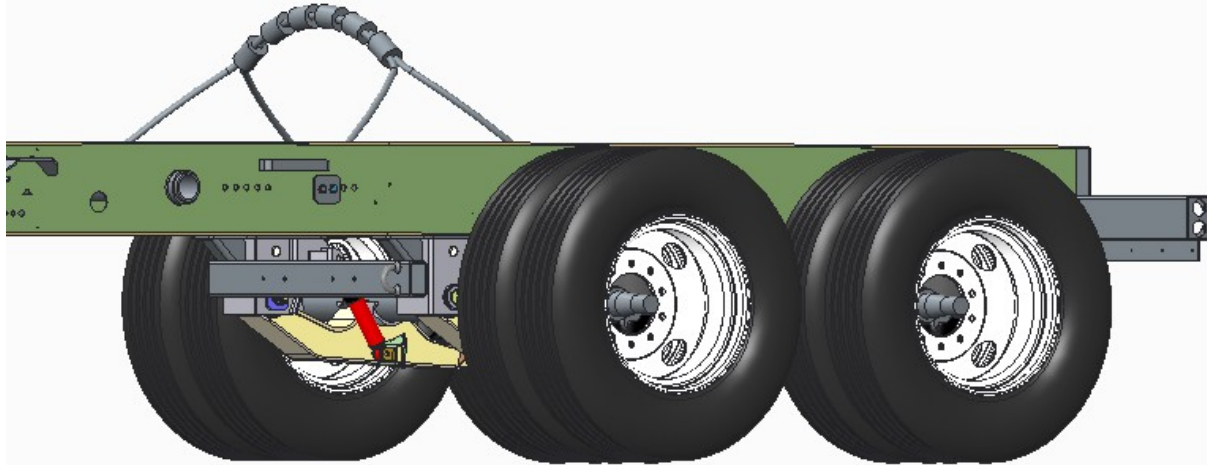
# Additional 94162

Additional lift molly installed on top flange of front of rear trailer. On rear trailer only.



# 111720

Lift molly with double cables installed on web at center of trailer. On rear trailer only.





**R4000 Quad Logger**

## Aluminum Wheels

10-hole Alcoa aluminum unimount wheels, LvL ONE clean buff finish.



## Steel Wheels

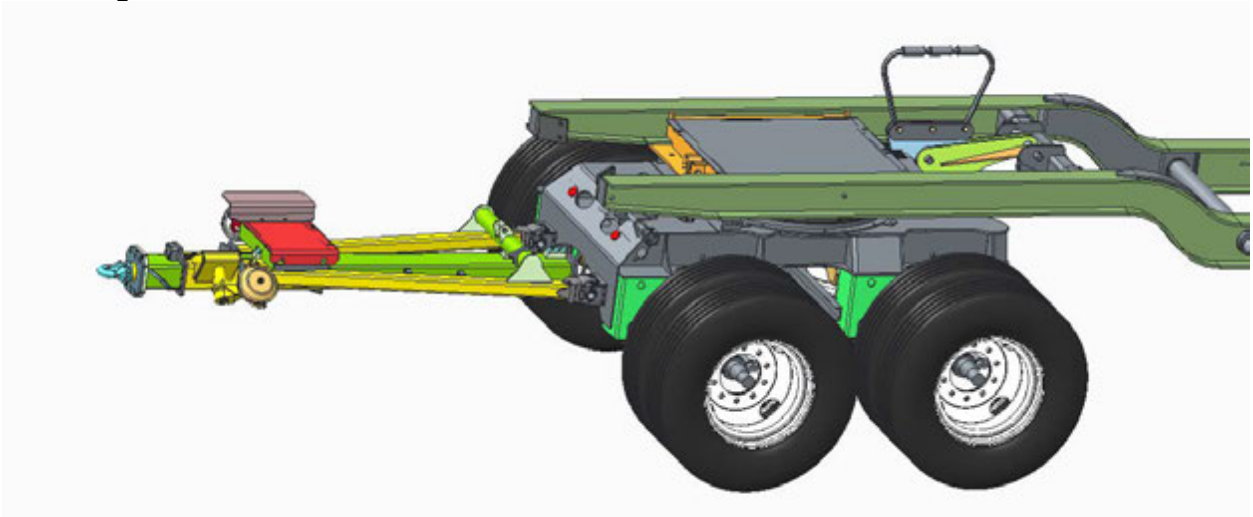
10-hole steel unimount wheels, painted white.





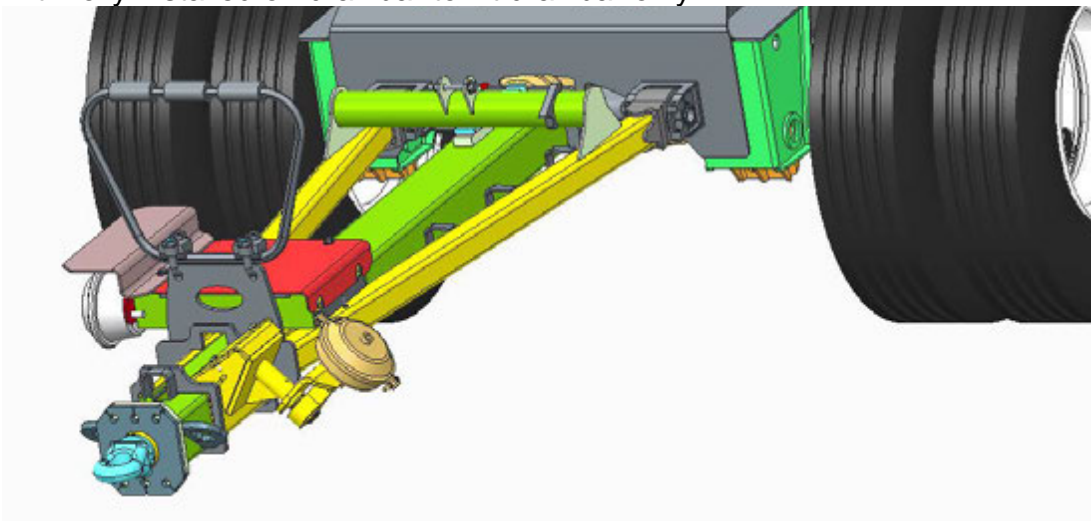
# 110514

Two stage drawbar for use with tridem truck, reach lock controlled from truck cab.



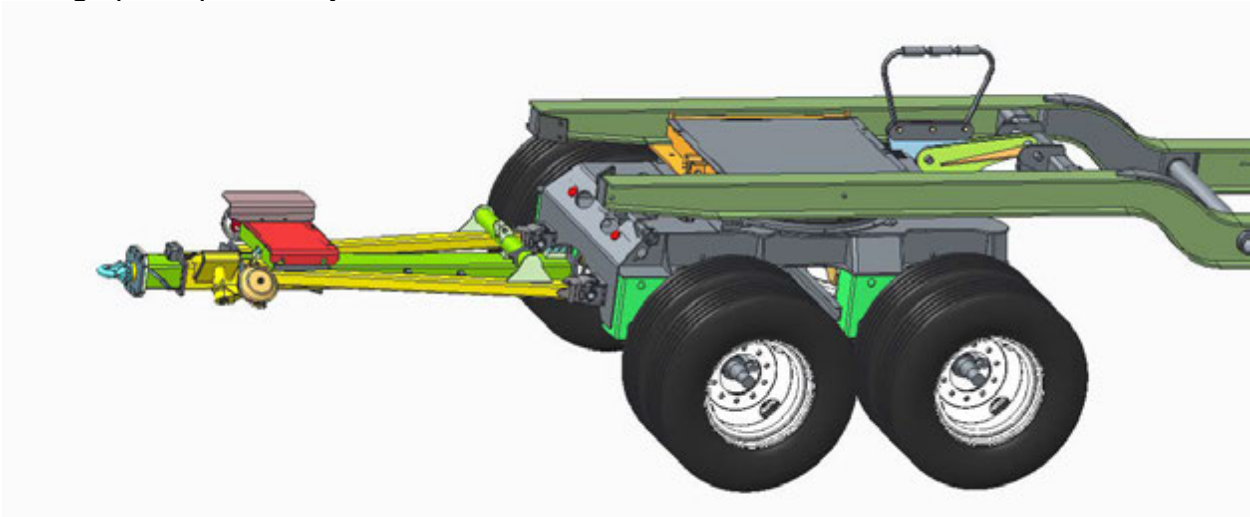
# 165714

Lift molly installed on drawbar to lift drawbar only.



# 164734

Swing up lift/tip off molly installed at front of trailer with cable to lift drawbar.



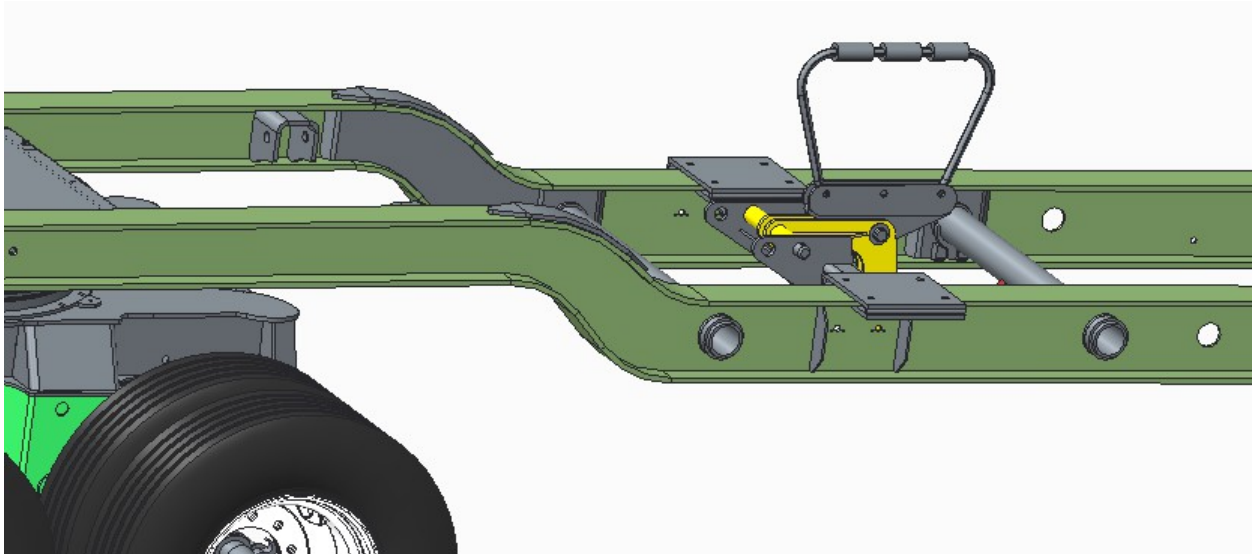
# 163669

Static lift/tip off molly installed at front of trailer, no provision to lift drawbar.



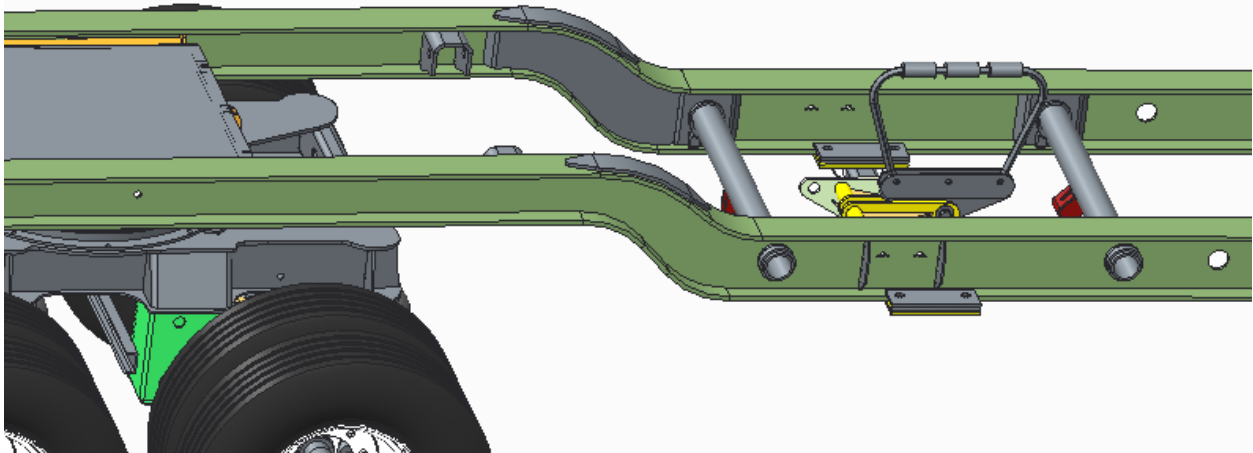
# 109938

Swing up lift/tip off molly installed on top flange at center of trailer with cable to lift drawbar.



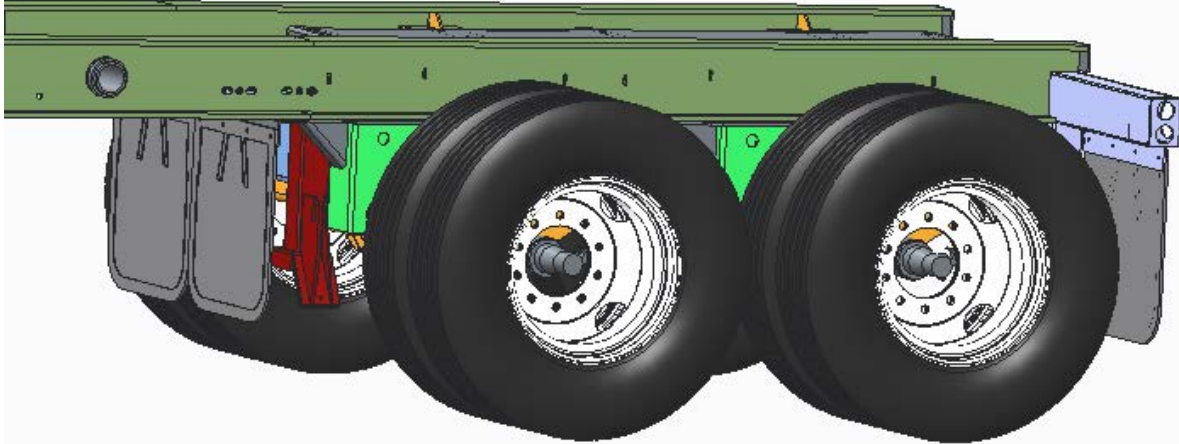
# 113915

Swing up lift/tip off molly installed on bottom flange at center of trailer with cable to lift drawbar.



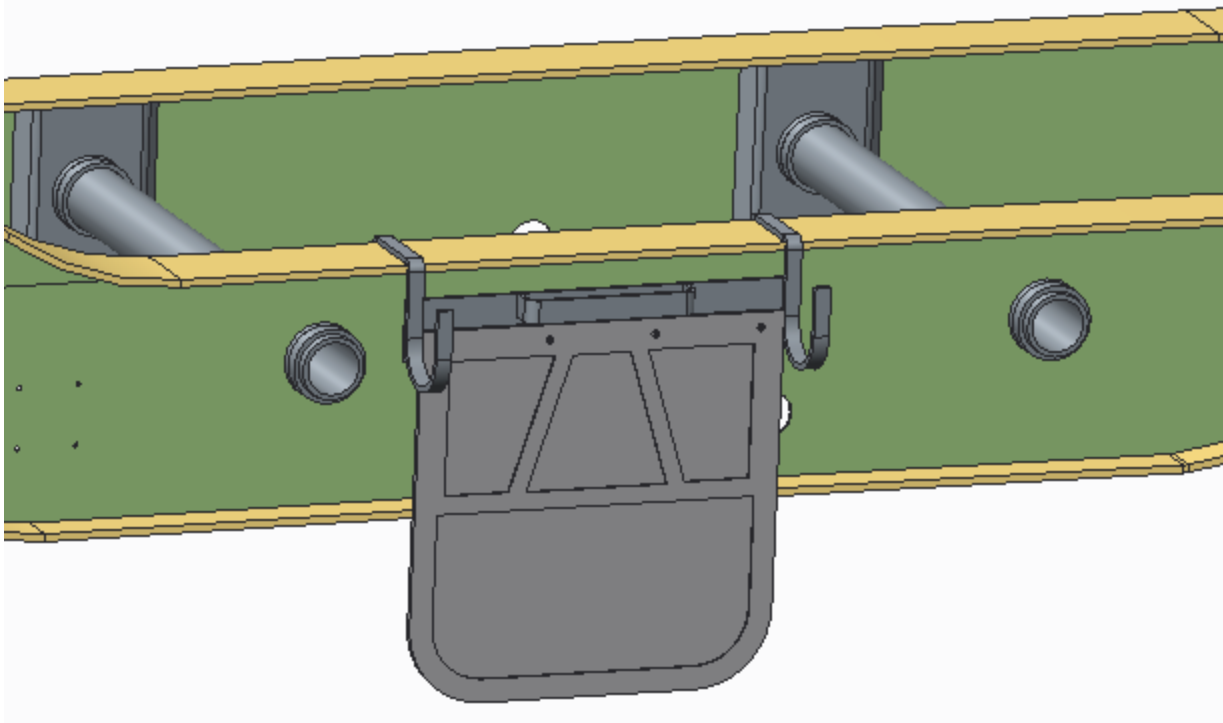
# 98599

Mud flap hanger assembly in front of rear suspension.



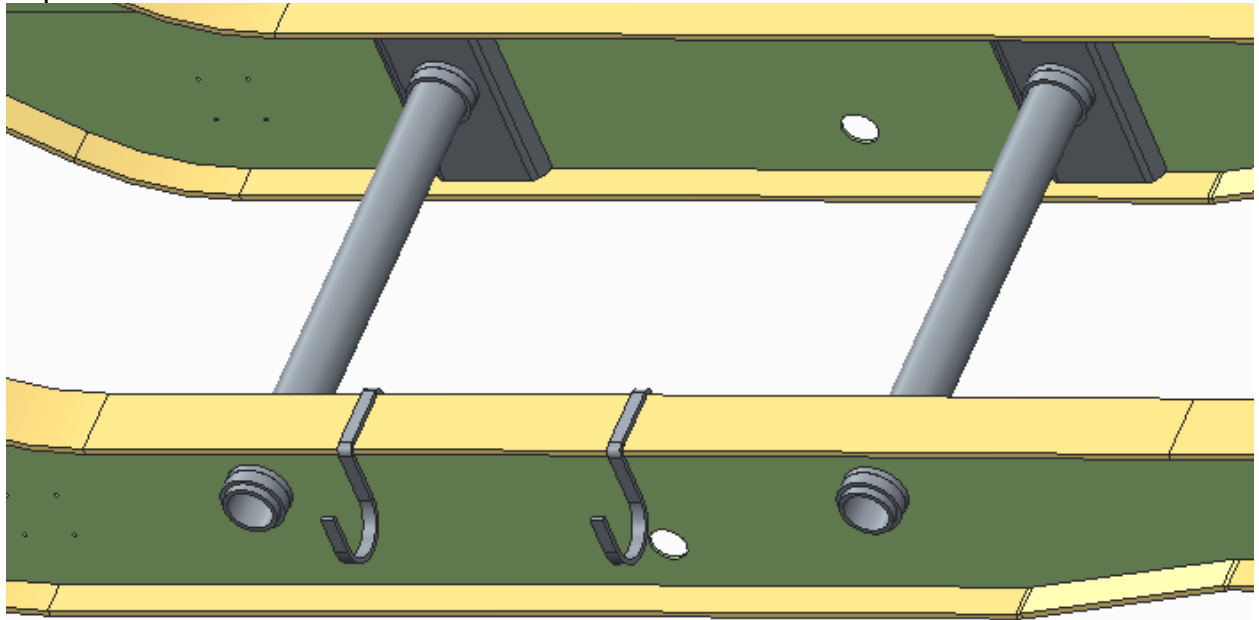
# 114384

Clip-on cinch and wrapper hanger installed on frame rail.



# 164686

Clip-on chain hooks installed on frame rail.



This page left intentionally blank.



**R4000 Quad Truck Rigout**

## 92138-0111

Peerless standard cab guard with ears and aluminum cladding.



## 92138-0211

Peerless standard cab guard with ears and expanded metal cladding.

## 92138-0511

Peerless standard cab guard with ears and stainless steel cladding.

## 92138-0811

Peerless standard cab guard with ears, aluminum cladding, and additional lighting.



## 92138Q-0111

Peerless quad cab guard with straight top and aluminum cladding.



## 92138Q-0211

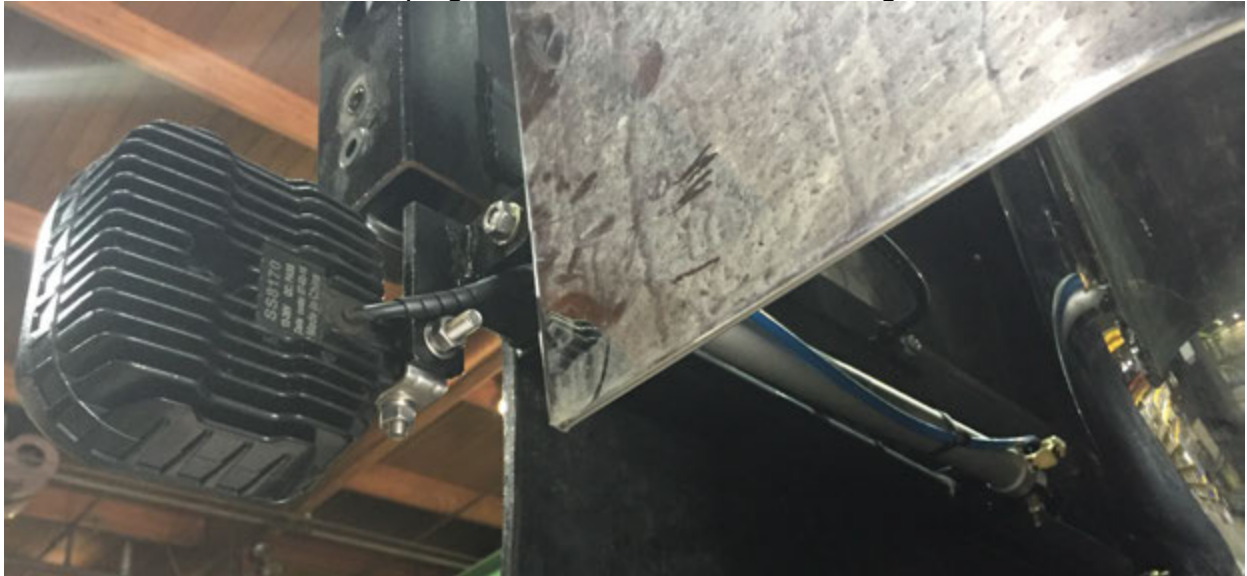
Peerless quad cab guard with straight top and expanded metal cladding.

## 92138Q-0511

Peerless quad cab guard with straight top and stainless steel cladding.

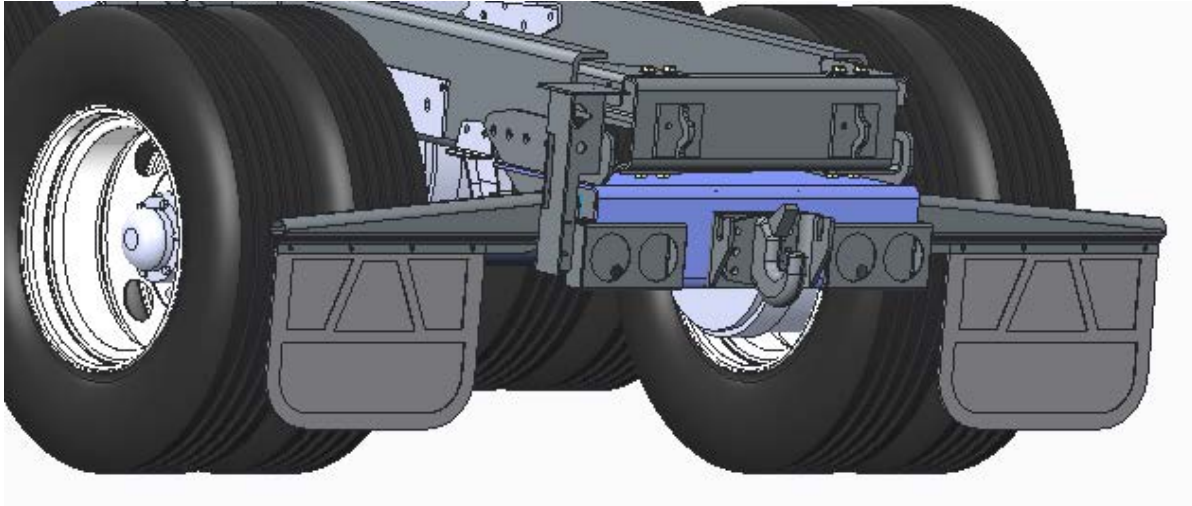
# 166903 & 166904

Air actuated slide out back up lights installed at bottom of cab guard.



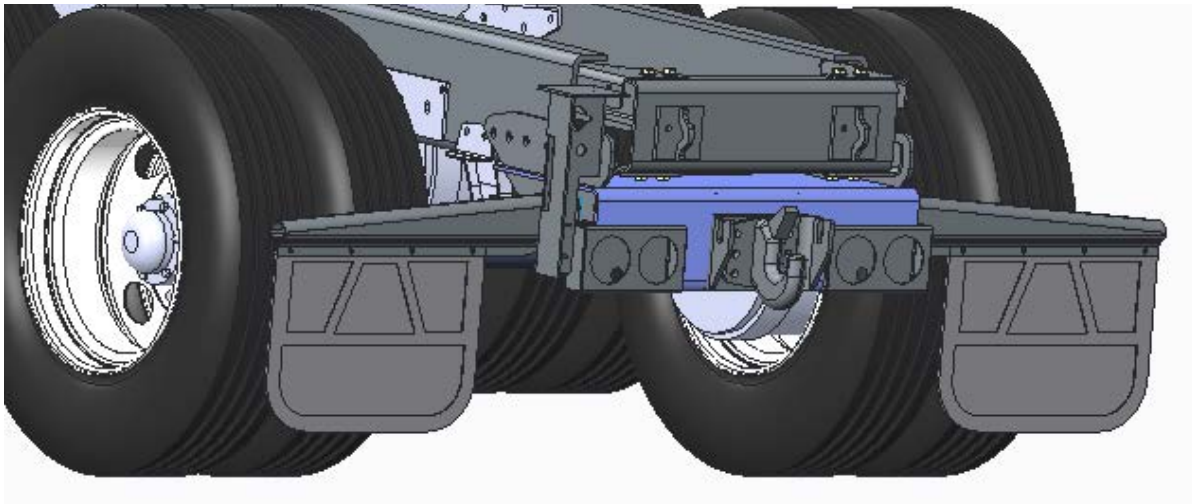
## Drop Hitch

Peerless drop hitch installed under rear cross member of truck.



## Rear Cross Member

Peerless rear cross member installed at rear of truck.



# 83089

Premier 370A air hitch installed.



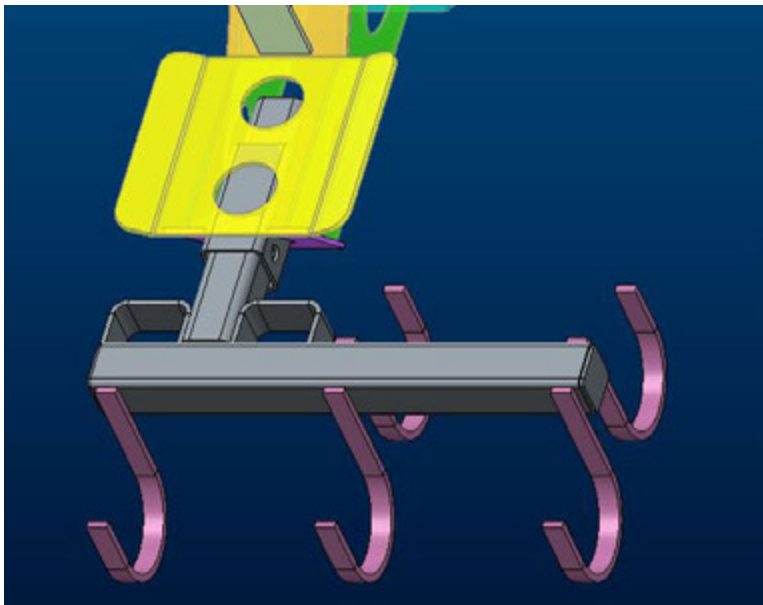
## 3130-STA

Slide out chain hanger installed on side of truck. Specify left hand side only or both sides.



## Receiver Style Chain Hanger

Receiver hitch style chain hanger installed on side of truck. Specify left hand side only or both sides.



## Tire Ride Tool Box

Aluminum tire ride toolbox and mounting kit installed on side of truck. Specify left hand side only or both sides.



## GL31LTB

Polytech toolbox installed between gussets on cab guard.



## 60036

Peerless steel toolbox installed between gussets on cab guard.



## Aluminum Cab Guard Tool Box

Iconic Metalgear custom 27" wide aluminum toolbox installed between gussets on cab guard.



This page left intentionally blank.





**SW53 Shortwood Logger**

## Aluminum Wheels

10-hole Alcoa aluminum unimount wheels, LvL ONE clean buff finish.



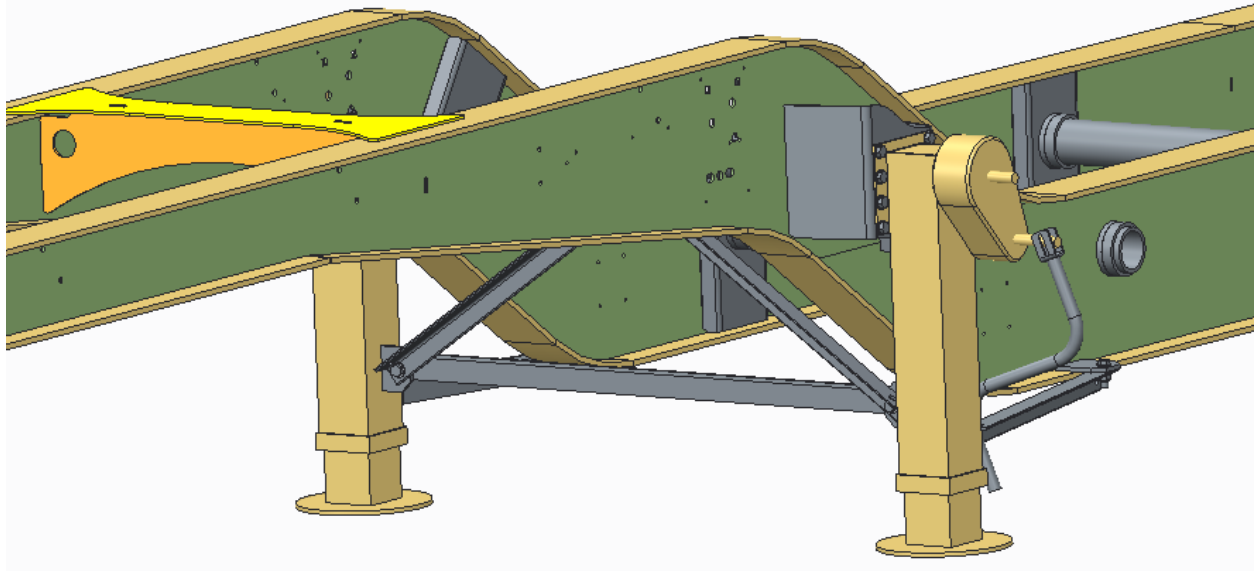
## Steel Wheels

10-hole steel unimount wheels, painted white.



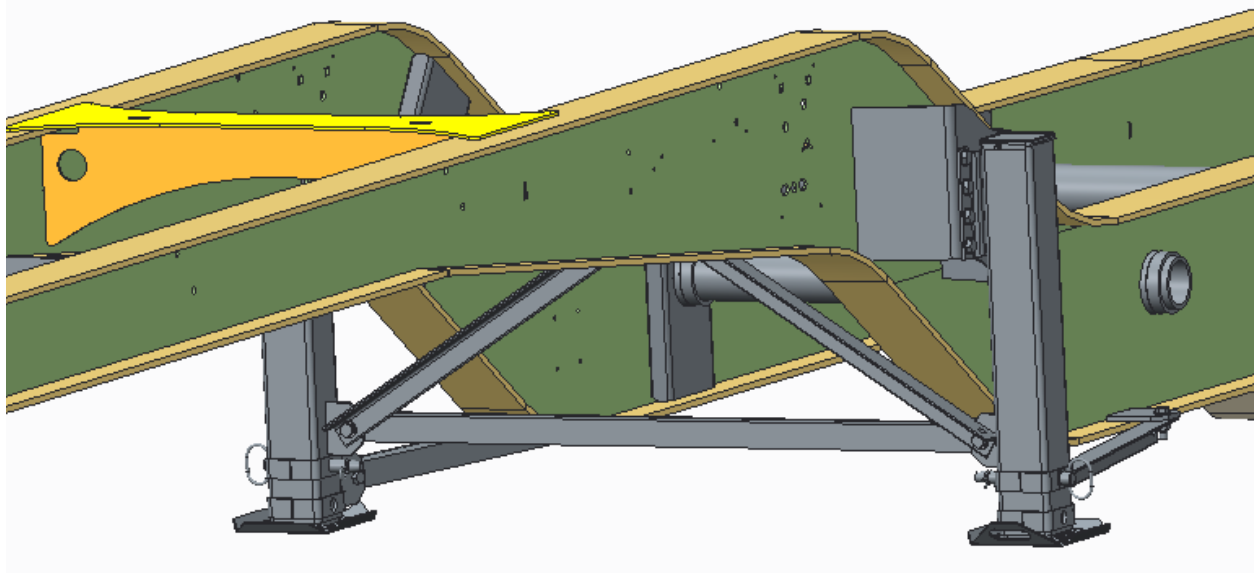
# Crank Down Landing Legs

Holland Mark V landing gear, crank down, with 2 speeds.



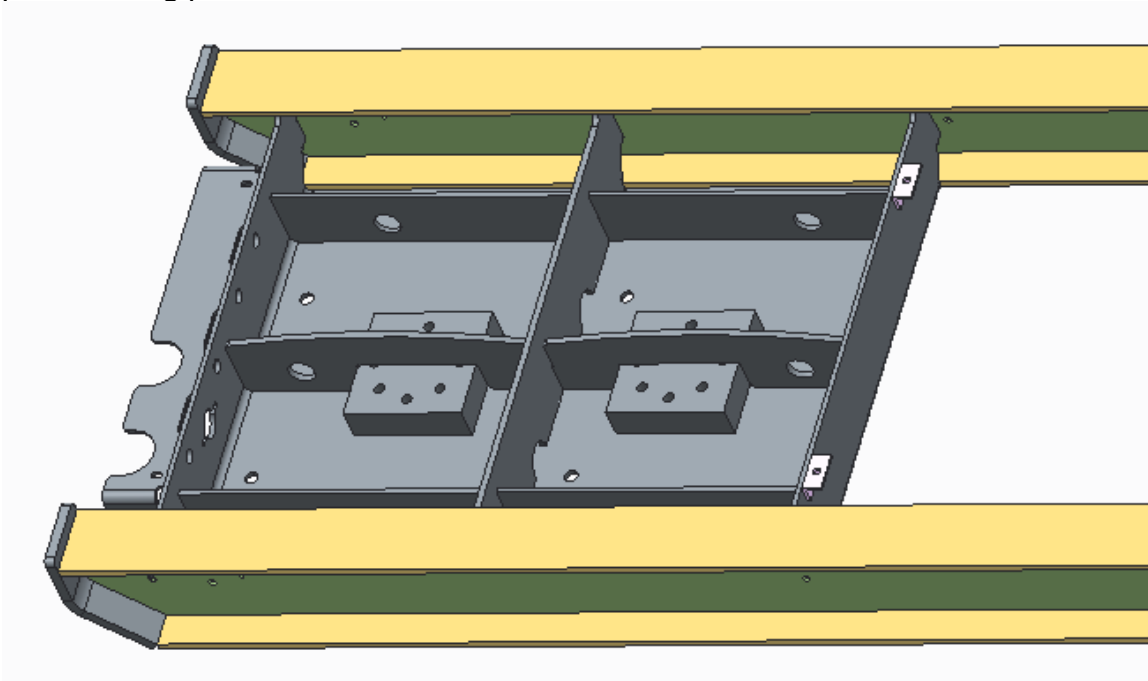
# Drop Down Landing Legs

Holland JS150 landing gear, drop leg, single pin.



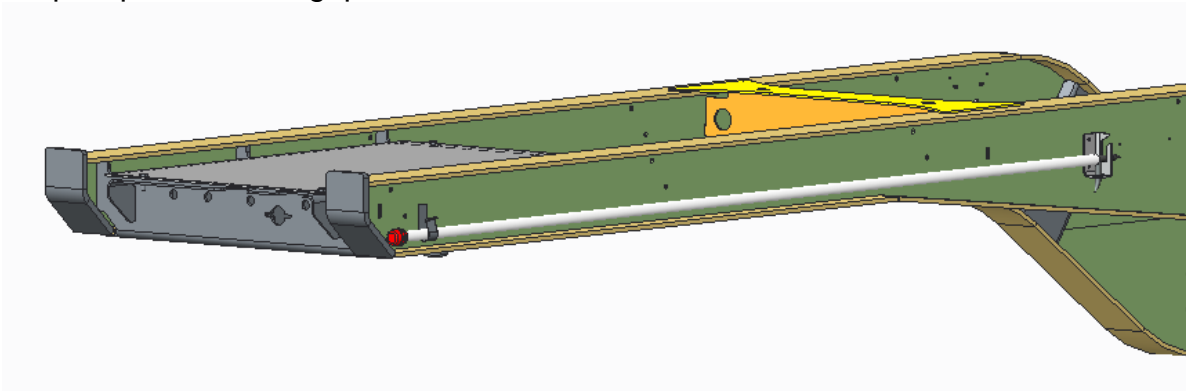
# 165191

Additional bolt-in king pin setting 20" from front of trailer; customer to specify which position king pin is to be installed in.



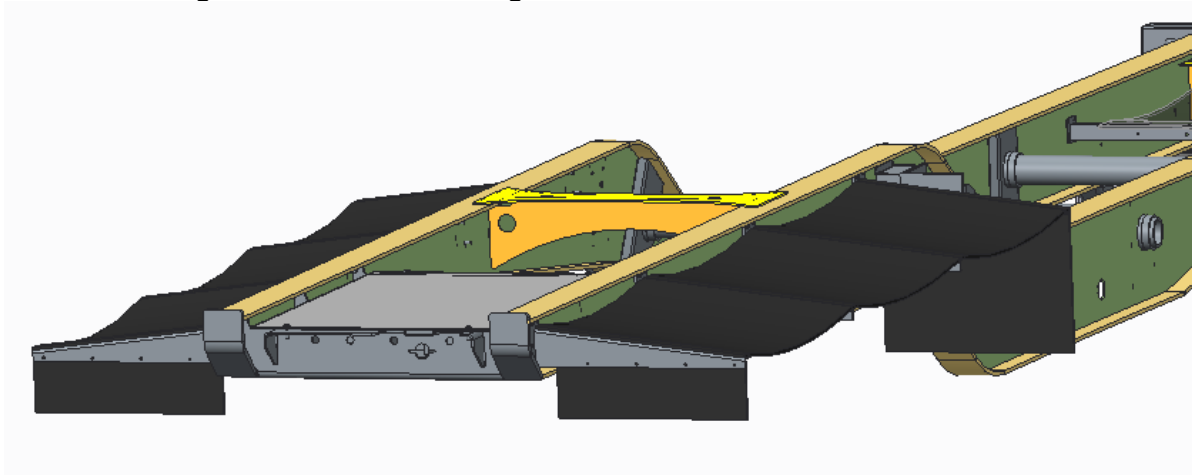
# 166028

10' pike pole w/ knob grip mounted on side of web.



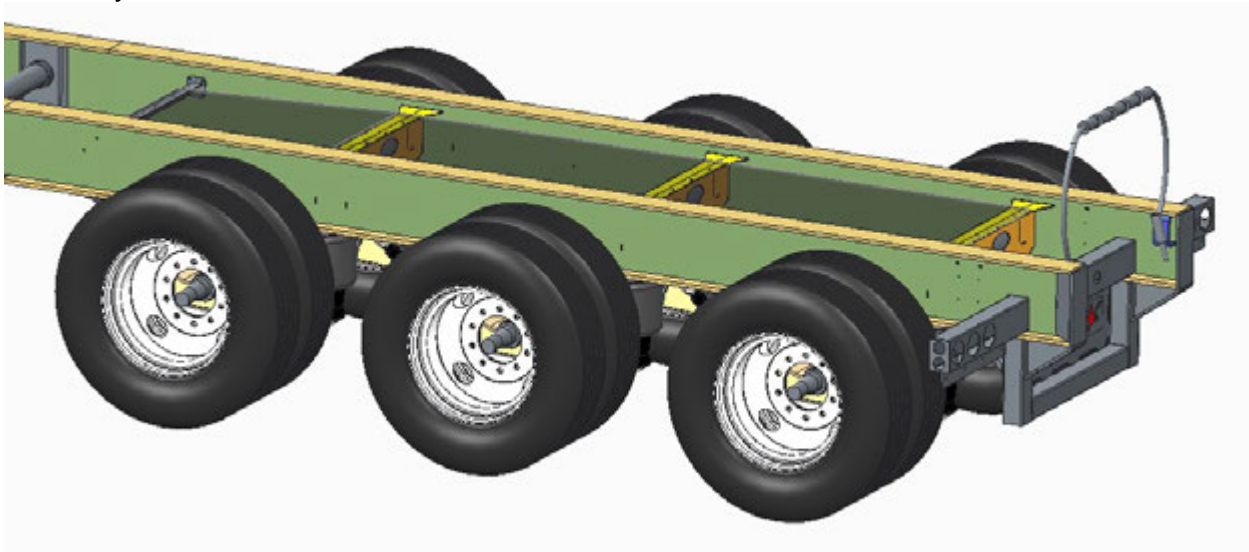
# 166159

Rubber belting fenders installed on gooseneck.



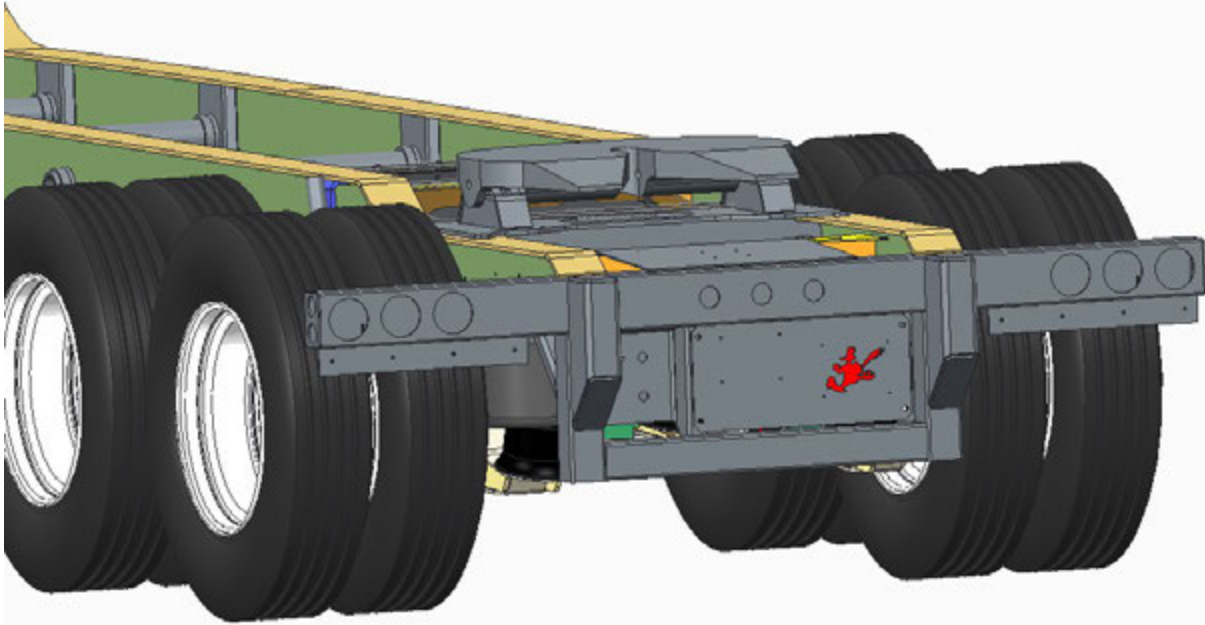
# 104999

Lift molly installed at rear of trailer.



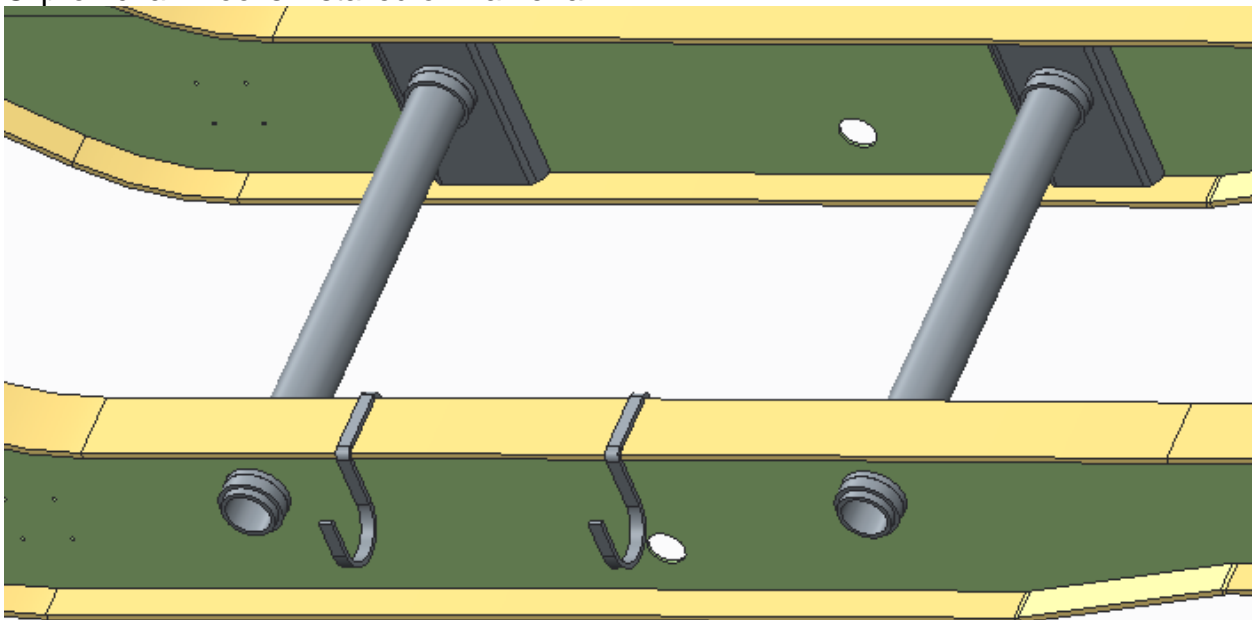
# 97367

Weld-on extended push bumper installed at rear of trailer.



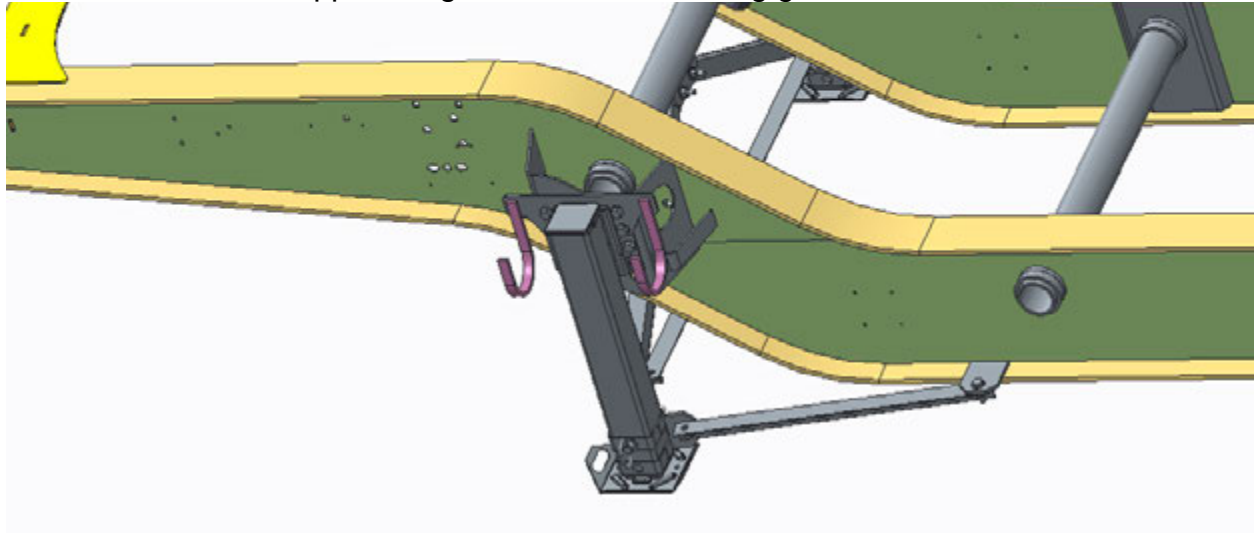
# 164686

Clip-on chain hooks installed on frame rail.



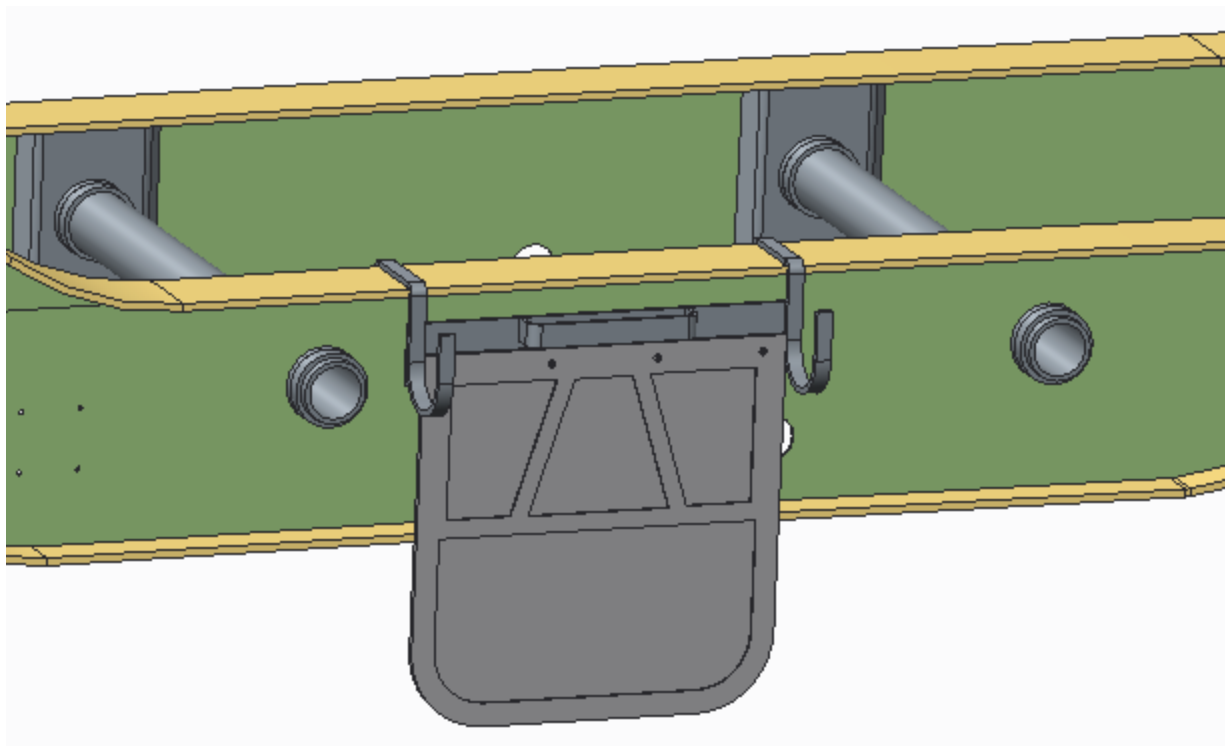
# 165132

Bolt-on cinch and wrapper hanger installed on landing gear.



# 114384

Clip-on cinch and wrapper hanger installed on frame rail.



This page left intentionally blank.





**SWSF Shortwood Logger**

## Aluminum Wheels

10-hole Alcoa aluminum unimount wheels, LvL ONE clean buff finish.



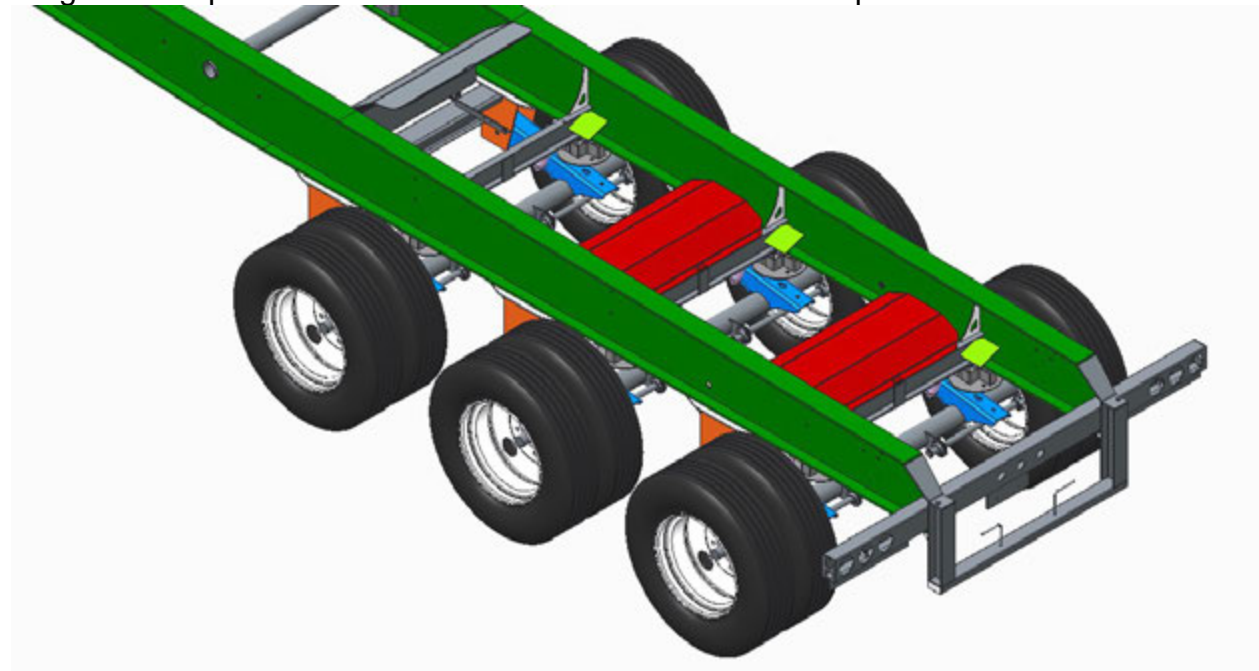
## Steel Wheels

10-hole steel unimount wheels, painted white.



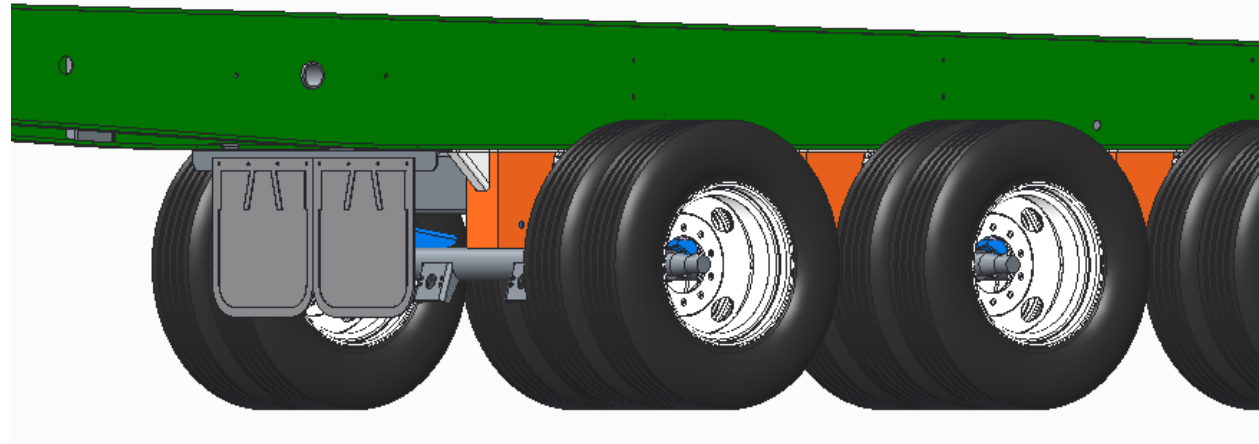
# 112095

Hinged cover plates with rubber hood catches over rear suspensions.



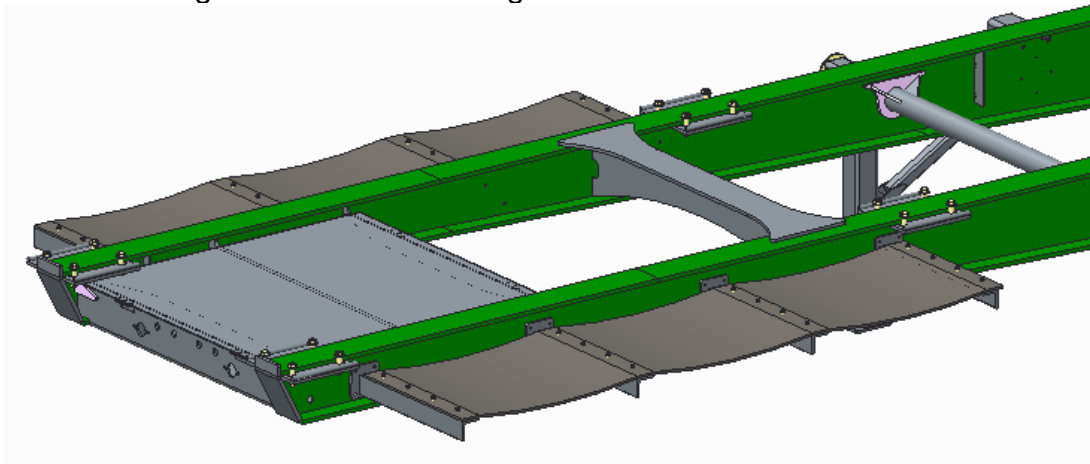
# 112112

Mud flap hanger assembly in front of rear suspension.



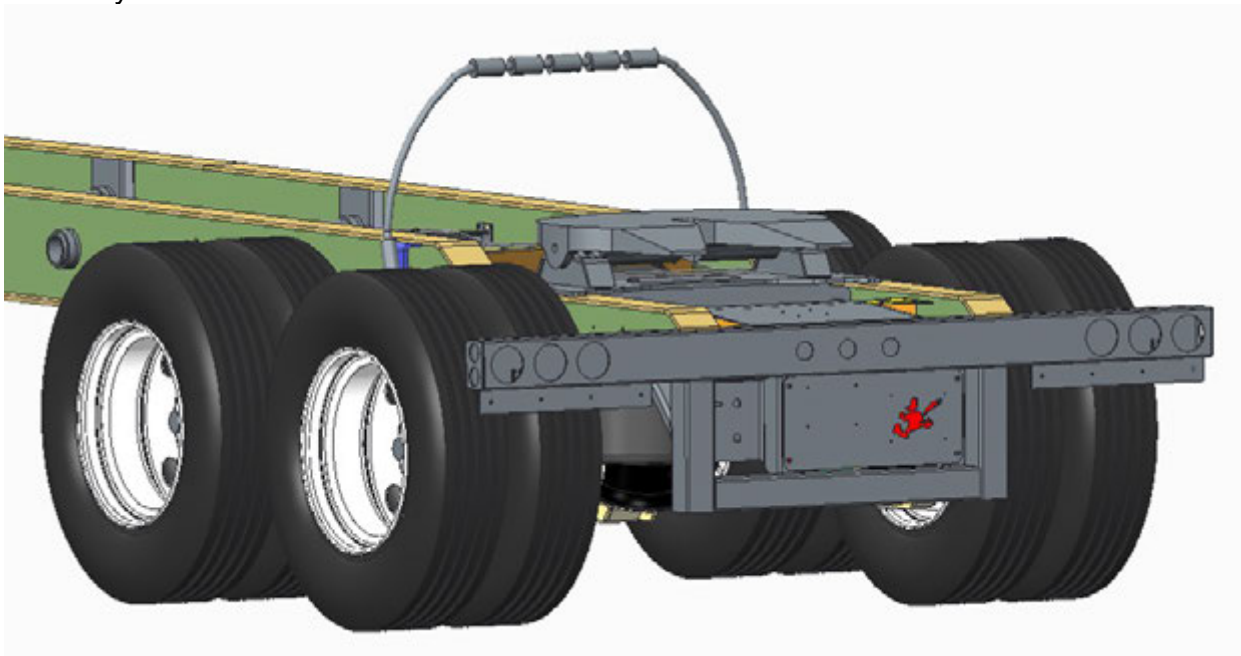
# 160714

Rubber belting fenders installed on gooseneck.



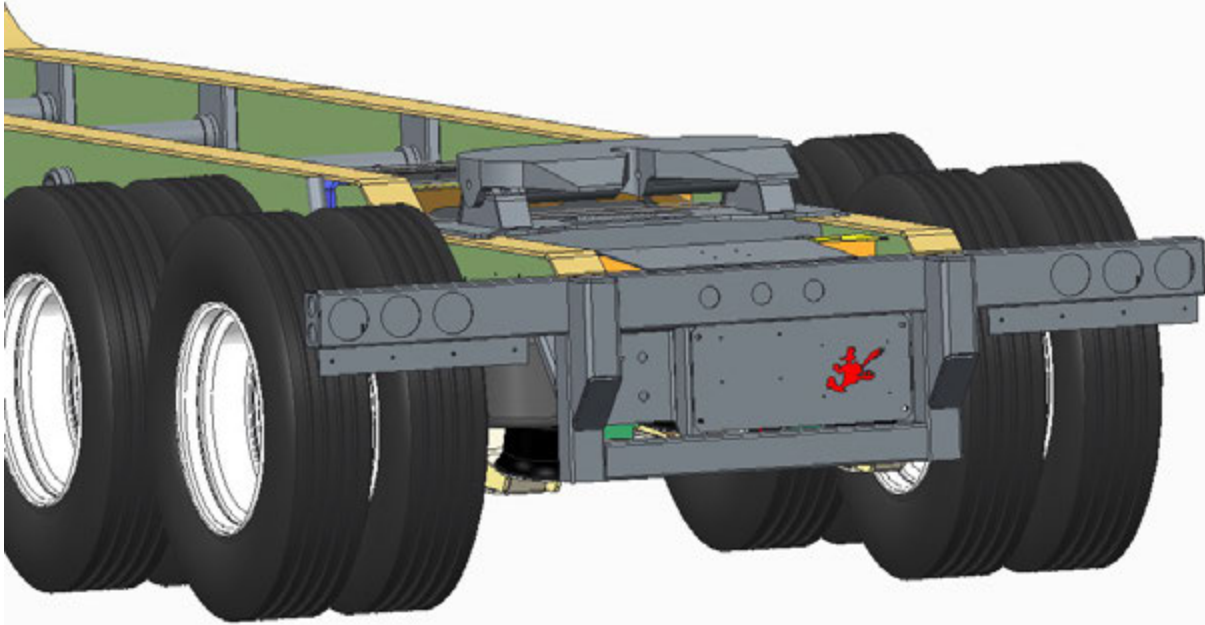
# 104999

Lift molly installed at rear of trailer ahead of fifth wheel.



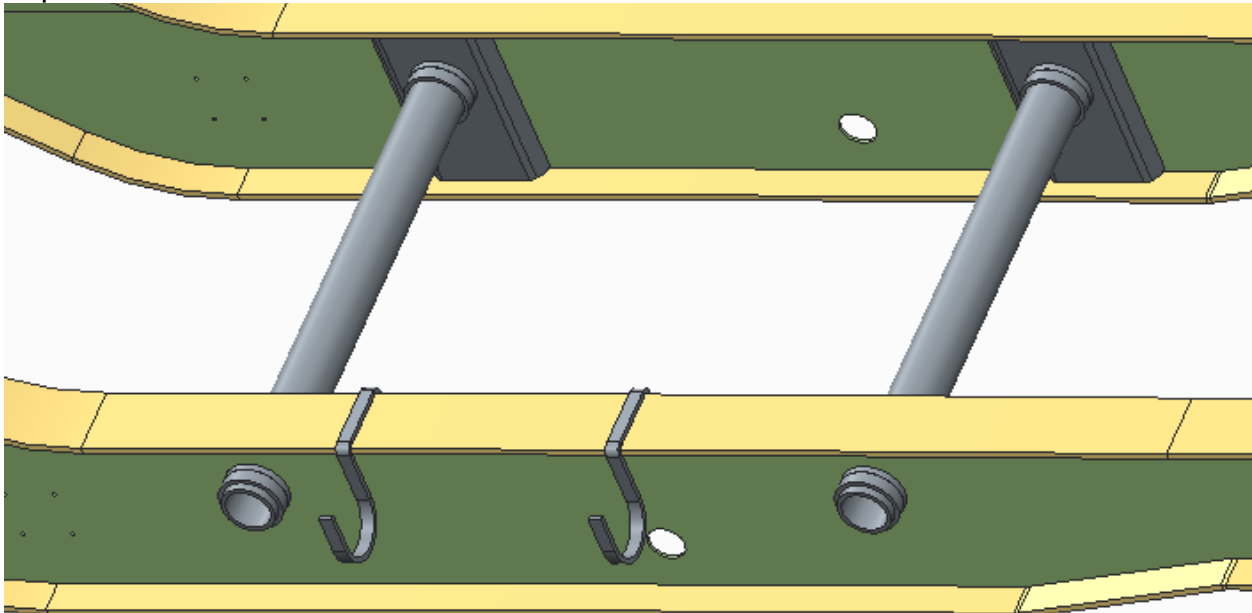
# 97367

Weld-on extended push bumper installed at rear of trailer.



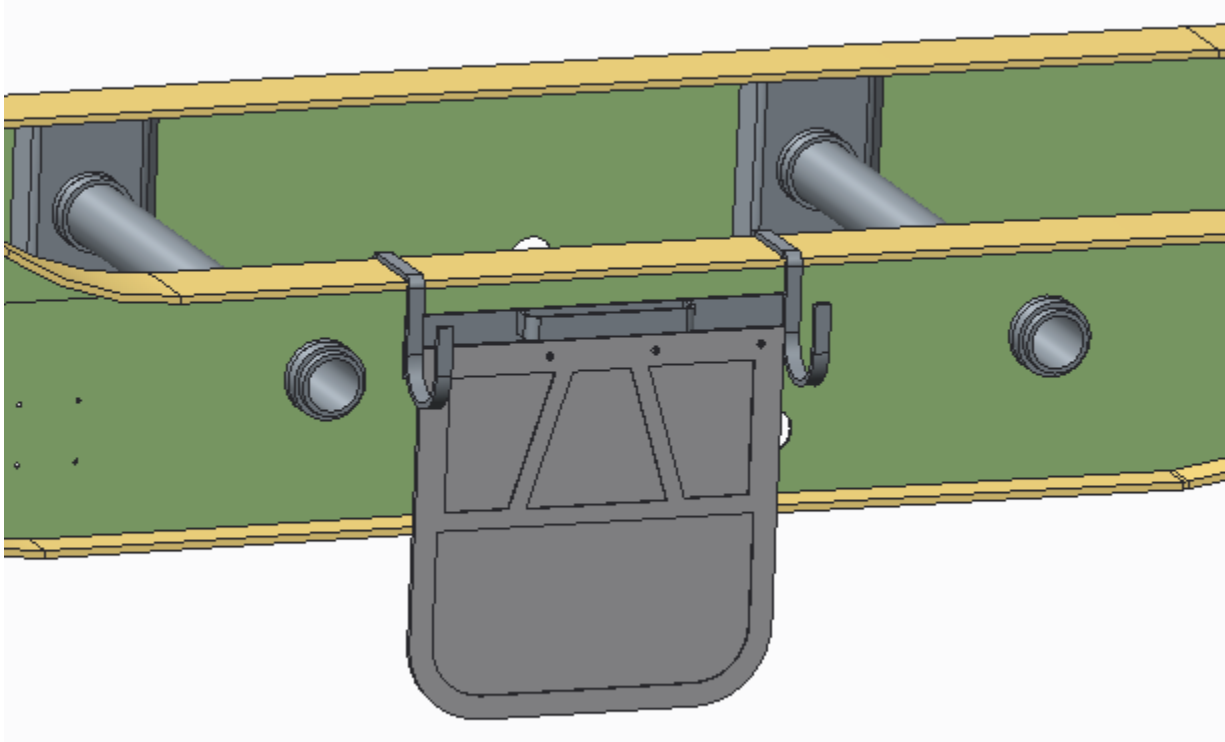
# 164686

Clip-on chain hooks installed on frame rail.



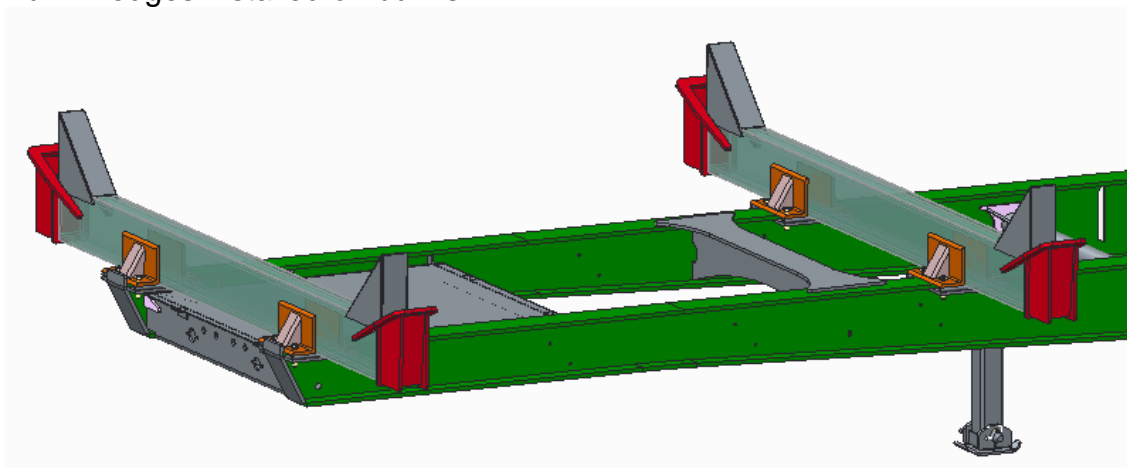
# 114384

Clip-on cinch and wrapper hanger installed on frame rail.



# 118194

Bunk wedges installed on bunks.



# 154544

Fourth axle assembly with lift.

